



Cambridge IGCSE®

CHEMISTRY

0620/05

Paper 5 Practical Test

For examination from 2020

SPECIMEN CONFIDENTIAL INSTRUCTIONS

This document gives details of how to prepare for and administer the practical exam.

The information in this document and the identity of any materials supplied by Cambridge International are confidential and must NOT reach candidates either directly or indirectly.

The supervisor must complete the report at the end of this document and return it with the scripts.

If you have any queries regarding these Confidential Instructions, contact Cambridge International stating the centre number, the syllabus and component number and the nature of the query.

by email: info@cambridgeinternational.org

by phone: +44 1223 553554

by fax: +44 1223 553558

This document consists of **6** printed pages.

General information about practical exams

Centres must follow the guidance on science practical exams given in the *Cambridge Handbook*.

Safety

Supervisors must follow national and local regulations relating to safety and first aid.

Only those procedures described in the question paper should be attempted.

Supervisors must inform candidates that materials and apparatus used in the exam should be treated with caution. Suitable eye protection should be used where necessary.

The following hazard codes are used in these confidential instructions, where relevant:

C	corrosive	MH	moderate hazard
HH	health hazard	T	acutely toxic
F	flammable	O	oxidising
N	hazardous to the aquatic environment		

Hazard data sheets relating to substances used in this exam should be available from your chemical supplier.

Before the exam

- The packets containing the question papers must **not** be opened before the exam.
- It is assumed that standard school laboratory facilities, as indicated in the *Guide to Planning Practical Science*, will be available.
- Spare materials and apparatus for the tasks set must be available for candidates, if required.

During the exam

- It must be made clear to candidates at the start of the exam that they may request spare materials and apparatus for the tasks set.
- Where specified, the supervisor **must** perform the experiments and record the results as instructed. This must be done **out of sight** of the candidates, using the same materials and apparatus as the candidates.
- Any assistance provided to candidates must be recorded in the supervisor's report.
- If any materials or apparatus need to be replaced, for example, in the event of breakage or loss, this must be recorded in the supervisor's report.

After the exam

- The supervisor must complete a report for each practical session held and each laboratory used.
- Each packet of scripts returned to Cambridge International must contain the following items:
 - the scripts of the candidates specified on the bar code label provided
 - the supervisor's results relevant to these candidates
 - the supervisor's reports relevant to these candidates
 - seating plans for each practical session, referring to each candidate by candidate number
 - the attendance register.

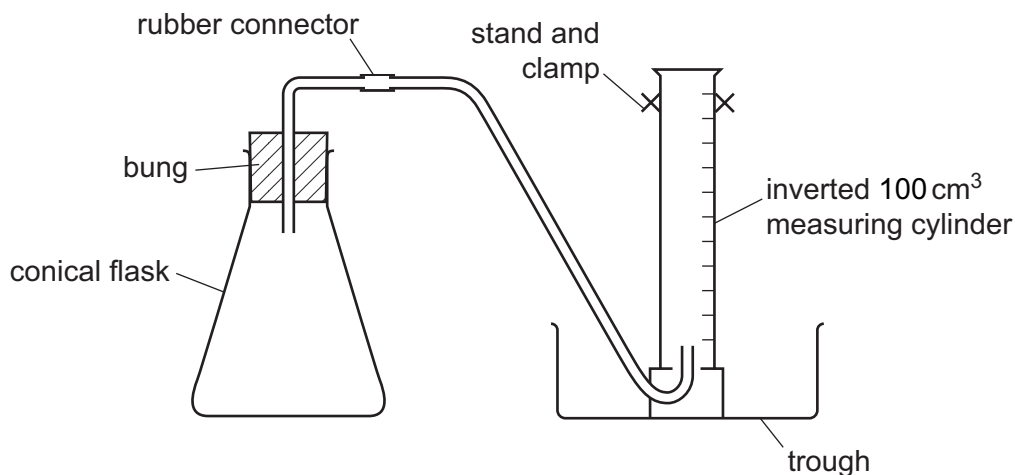
Specific information for this practical exam

During the exam, the supervisor (NOT the invigilator) must do the experiments in Questions 1 and 2 and record the results on a spare copy of the question paper, clearly labelled 'supervisor's results'.

For Question 1

Each candidate will require

- (a) apparatus for a rate experiment



Note: The trough should be large enough to allow the measuring cylinder to be filled with water in the trough.

- [F] (b) two 15 cm strips of magnesium ribbon

- (c) 100 cm³ of sulfuric acid of concentration 0.2 mol/dm³, in a beaker labelled **acid X**
 (d) 100 cm³ of hydrochloric acid of concentration 0.2 mol/dm³, in a beaker labelled **acid Y**
 (e) one 250 cm³ conical flask
 (f) a stop-clock or timer which can measure to the nearest second
 (g) access to water and distilled water
 (h) one 100 cm³ measuring cylinder

50 cm³ of acid X + 15 cm of magnesium ribbon should produce approximately 50 cm³ of gas in 3 minutes.

50 cm³ of acid Y + 15 cm of magnesium ribbon should produce approximately 25 cm³ of gas in 3 minutes.

During the exam, the supervisor (NOT the invigilator) must do the experiments in Questions 1 and 2 and record the results on a spare copy of the question paper, clearly labelled 'supervisor's results'.

For Question 2

Each candidate will require

[O] [H] (a) a stoppered boiling tube containing about 1 g of calcium nitrate and 1 g of zinc carbonate thoroughly mixed, labelled **solids C and D**

Note: Calcium nitrate should be freshly purchased.

[C] (b) aqueous sodium hydroxide of concentration 2 mol/dm^3 , labelled **aqueous sodium hydroxide**

[H] (c) aqueous ammonia of concentration 2 mol/dm^3 , labelled **aqueous ammonia**

[H] (d) limewater and suitable apparatus to test for carbon dioxide, labelled **limewater**

(e) hydrochloric acid of concentration 1 mol/dm^3 , labelled **hydrochloric acid**

(f) aluminium foil

(g) access to water and distilled water

(h) pH indicator papers and chart

(i) rack of test-tubes

(j) splints

(k) one boiling tube and cork or bung to fit

(l) spatula

(m) one 10 cm^3 measuring cylinder

(n) one Bunsen burner and matches

(o) test-tube holder

(p) teat pipettes

(q) filtration apparatus: filter papers and funnel

Note: Labels do not need to include concentrations.

Permission to reproduce items where third-party owned material protected by copyright is included has been sought and cleared where possible. Every reasonable effort has been made by the publisher (UCLES) to trace copyright holders, but if any items requiring clearance have unwittingly been included, the publisher will be pleased to make amends at the earliest possible opportunity.

Cambridge Assessment International Education is part of the Cambridge Assessment Group. Cambridge Assessment is the brand name of University of Cambridge Local Examinations Syndicate (UCLES), which is itself a department of the University of Cambridge.

Supervisor's report

Syllabus and component number

				/		
--	--	--	--	---	--	--

Centre number

--	--	--	--	--

Centre name

Time of the practical session

Laboratory name/number

Give details of any difficulties experienced by the centre or by candidates (include the relevant candidate names and candidate numbers).

You must include:

- any difficulties experienced by the centre in the preparation of materials
- any difficulties experienced by candidates, e.g. due to faulty materials or apparatus
- any specific assistance given to candidates.

Space for supervisor to record results, if relevant, e.g. temperature of the laboratory; results for Question 1.

Declaration

- 1 Each packet that I am returning to Cambridge International contains the following items:
 - the scripts of the candidates specified on the bar code label provided
 - the supervisor's results relevant to these candidates
 - the supervisor's reports relevant to these candidates
 - seating plans for each practical session, referring to each candidate by candidate number
 - the attendance register
- 2 Where the practical exam has taken place in more than one practical session, I have clearly labelled the supervisor's results, supervisor's reports and seating plans with the time and laboratory name/number for that practical session.
- 3 I have included details of difficulties relating to this practical session experienced by the centre or by candidates.
- 4 I have reported any other adverse circumstances affecting candidates, e.g. illness, bereavement or temporary injury, directly to Cambridge International on a *special consideration form*.

Signed (supervisor)

Name (in block capitals)