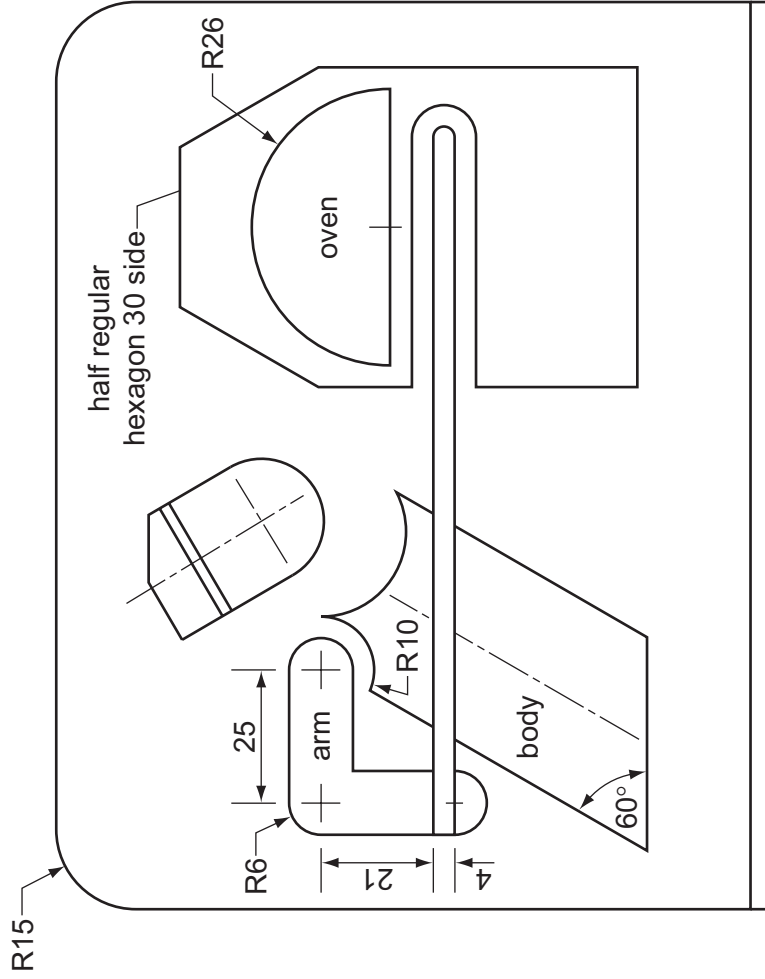


Section A

Answer **all** questions in this section.

A baker's shop selling bread, cakes and pastries is called **THE SMALL LOAF**.

The details of the logo for the shop are shown below.



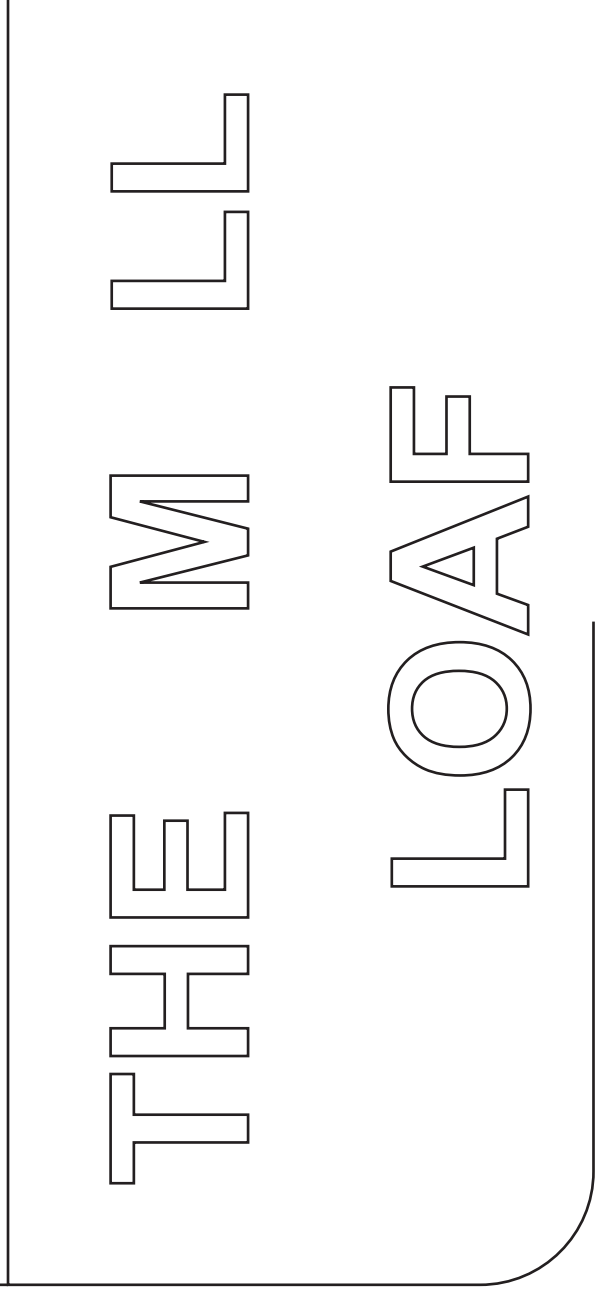
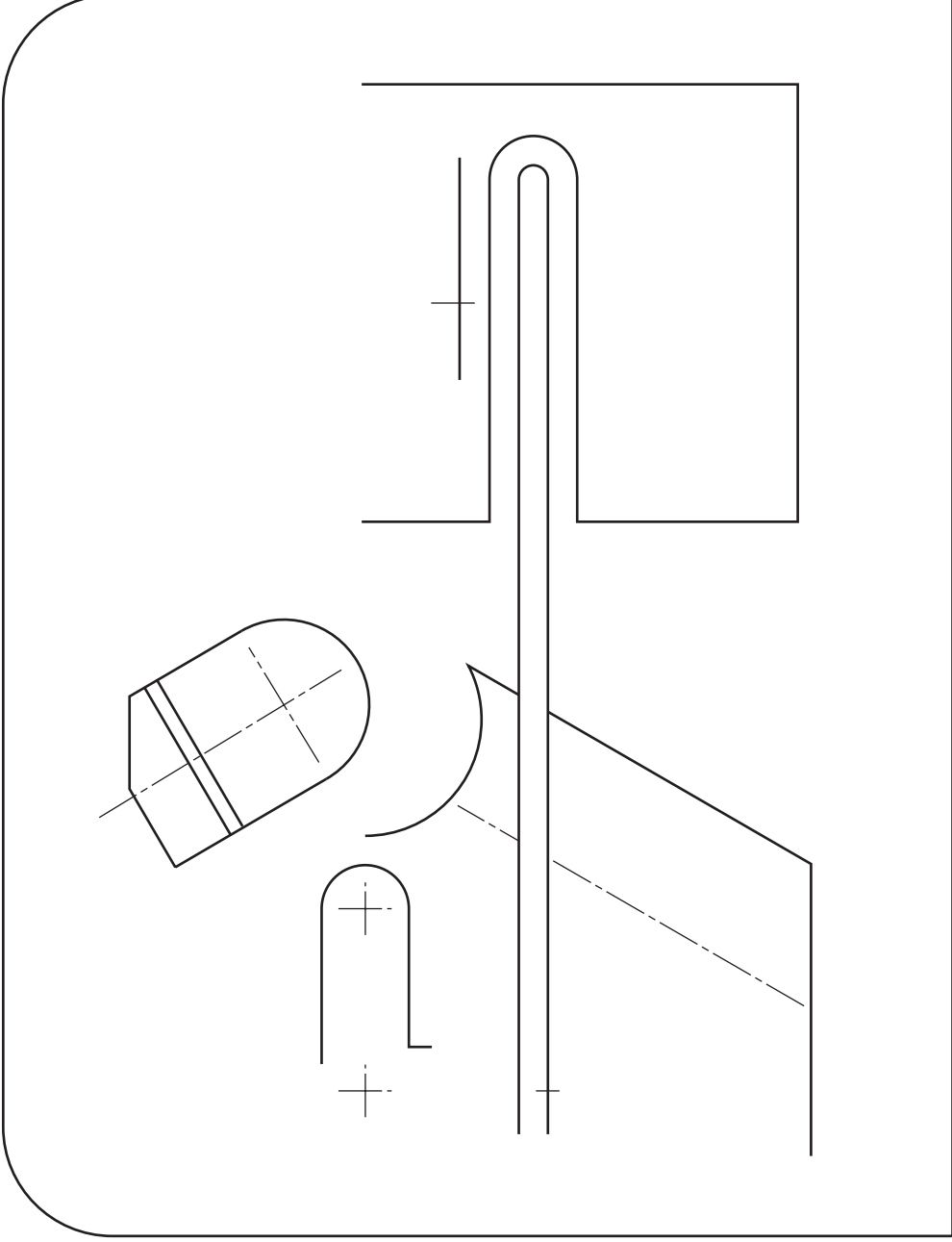
A1 Complete the full-size view of the logo in the space provided to the right by drawing:

- (a) the back of the body and the R10 shoulder; [2]
- (b) the missing part of the arm; [3]
- (c) the half hexagon 30 side representing the oven casing; [2]
- (d) the semi-circle R26 representing the oven. [2]

A2 Complete the signboard for **THE SMALL LOAF** shown on the right by:

- (a) adding the **two** missing letters; [4]
- (b) completing the outline so that the shape is symmetrical. [2]

All the letters must be to the same height and style as those given.



0445/22 Oct/Nov 2013 **1 hour**
© UCLES 2013

Centre Number

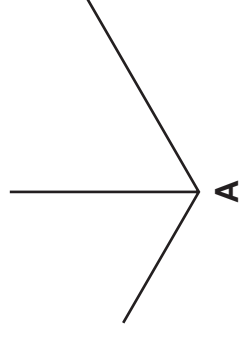
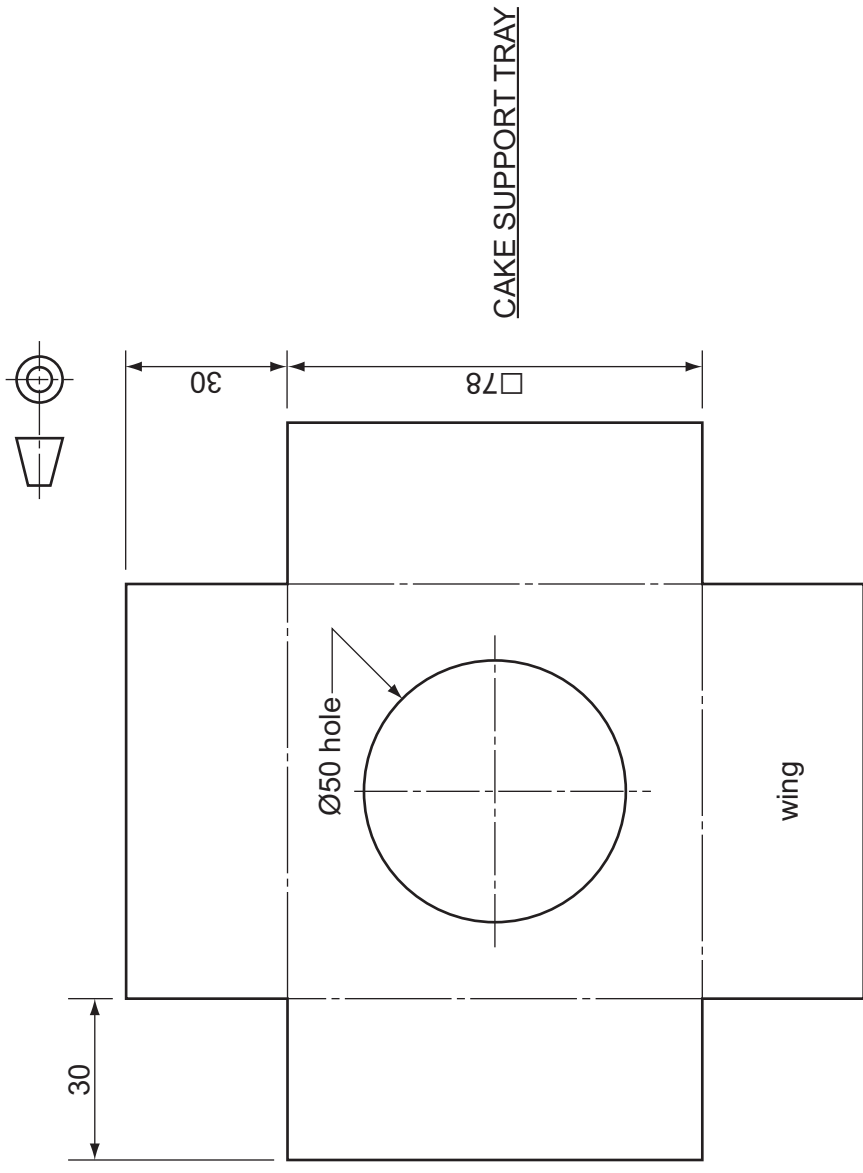
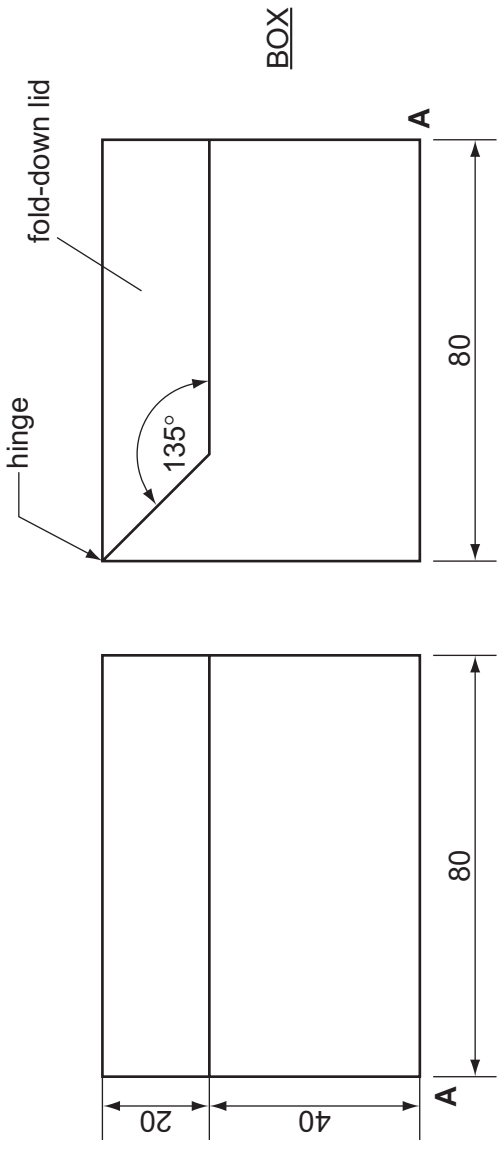
Candidate's Number

Candidate's Surname Other Names [Turn over]

For
Examiner's
use

A3 A box and a cake support tray used to package a small circular cake are shown below.

The box and the cake support tray are made from thin card. The support tray fits inside the box when all four 'wings' are folded down. The $\text{\O}50$ hole supports the circular cake.

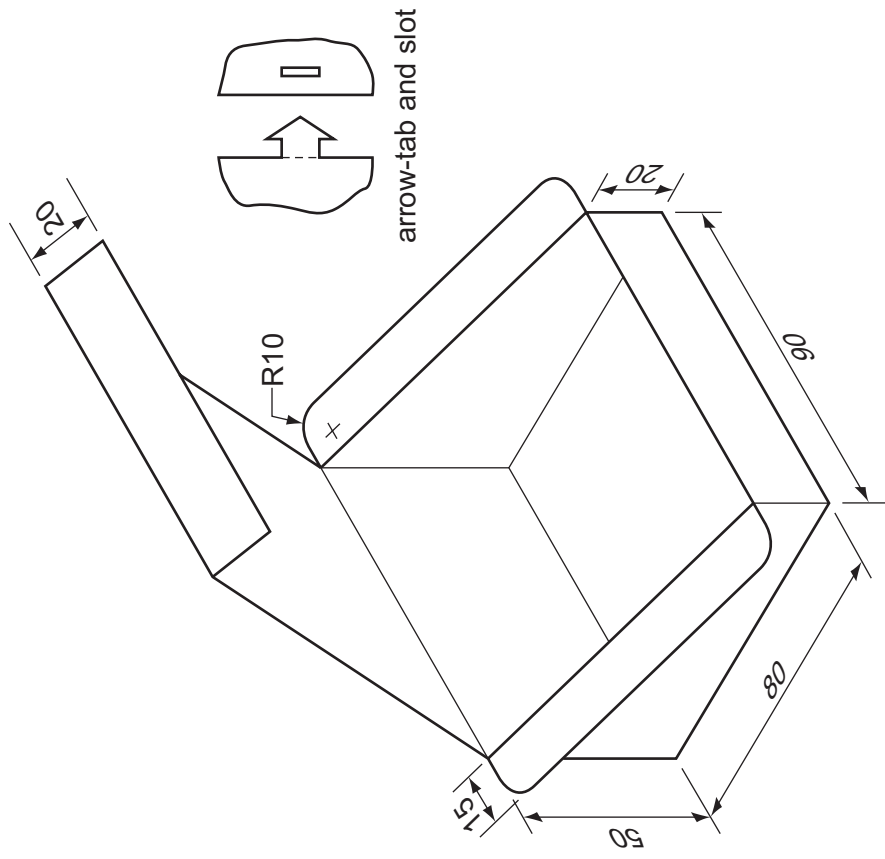


In the space to the right, draw a full-size isometric view of the cake box with the cake support tray in position. The lid is to be shown fully open in the vertical position. The starting point for corner **A** has been given for you. [10]

Section B
Answer either question B4 or B5.

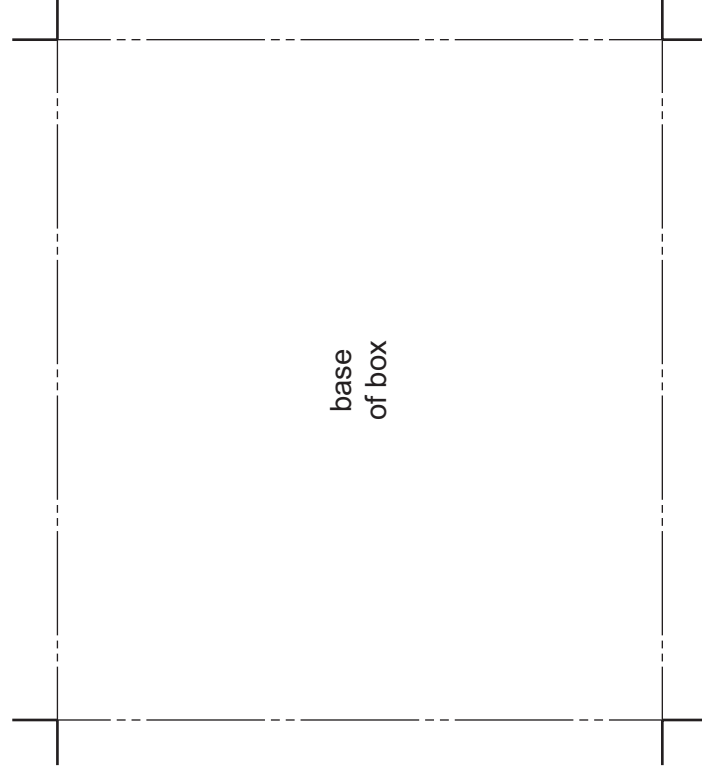
B4 The shop has a box for transporting one slice of cake.

The outline drawing below shows the box fully assembled.



The box uses arrow-tabs and slots to join the sides together.

- (a) In the space to the right, draw a full-size, one-piece development (net) of the box. [15]
The base of the box has been drawn for you.
- (b) Add to the development (net) sufficient arrow-tabs and slots to hold the sides together. [8]
- (c) In the space below, draw a method of holding the lid securely in place when it is folded to close the box. Glue and arrow-tabs are not to be used. [2]



0445/22 Oct/Nov 2013 **1 hour**
© UCLES 2013

Centre Number

Candidate's Number

Candidate's Surname

Other Names

[Turn over

B5 (a) The quantities of bakery products sold in the shop on one day of the year in 2012 were as follows:

Baguette	90	Wholemeal loaf	45
Bread roll	60	White loaf	30
Croissant	120	Fruit tart	15

In the space to the right, draw a **two-dimensional** pie chart to show the distribution of each product as part of the total sales in the shop that day. [7]

(b) The seasonal sales for products sold in the shop in 2012 are shown in the table below.

Shop sales 2012			
	Spring	Summer	Autumn
White bread	750	850	800
Brown bread	550	600	550
Cakes	500	550	350
TOTAL	1800	2000	1700

(i) In the space below, draw a two-dimensional bar chart to show the sales of cakes over the spring, summer and autumn in 2012. [3]

(ii) In the space below, draw a **three-dimensional** bar chart to show the difference in sales of all three products in the spring and the summer of 2012. [15]