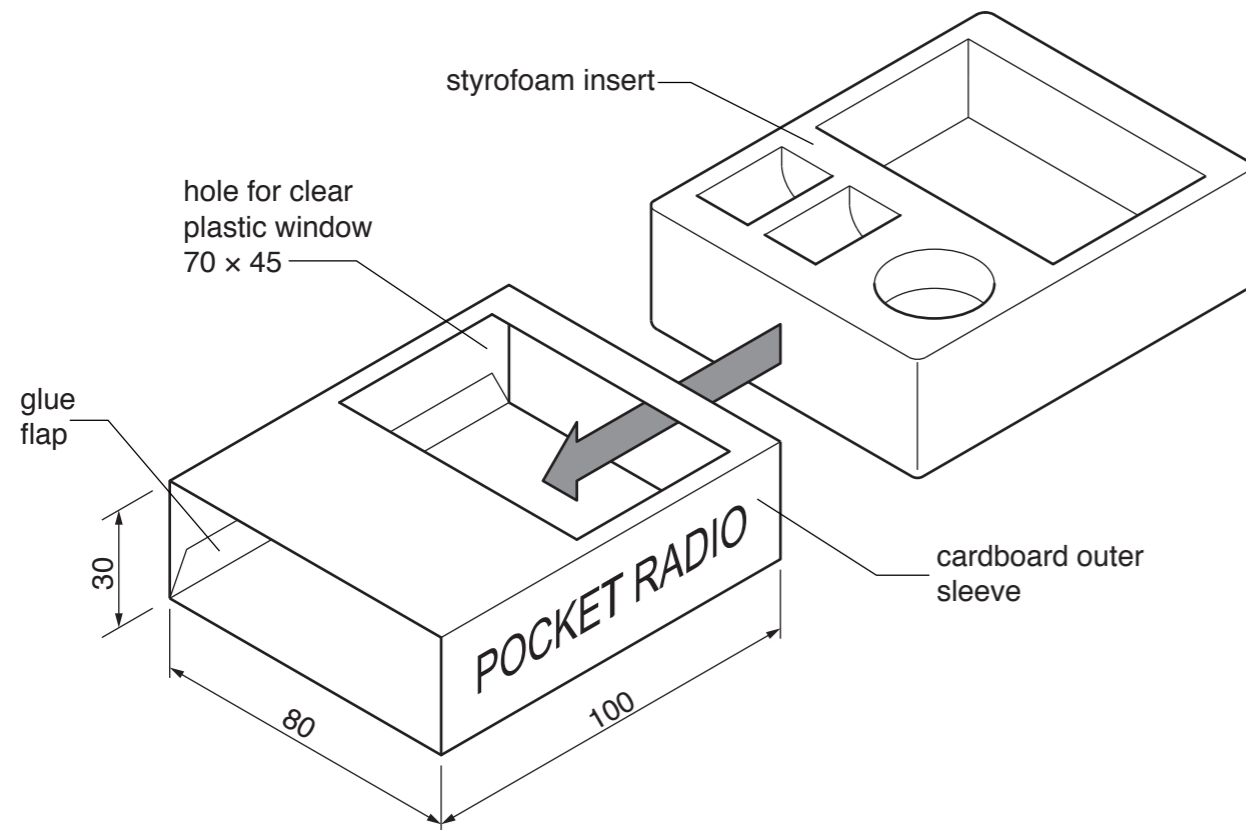


Section A

Answer **all** questions in this section.

A package for a pocket radio is shown below.



POCKET RADIO

The package has a cardboard outer sleeve with a clear plastic window. The styrofoam insert fits inside the sleeve.

A1 Complete the full size development (net) of the cardboard sleeve by drawing:

- (a) the outer shape of the development (net) [5]
- (b) the glue flap (10 mm wide) [2]
- (c) the rectangular hole for the clear plastic window. [1]

A2 (a) State a suitable adhesive for:

(i) fixing the cardboard sleeve together
 [1]

(ii) fixing the clear plastic window in place.
 [1]

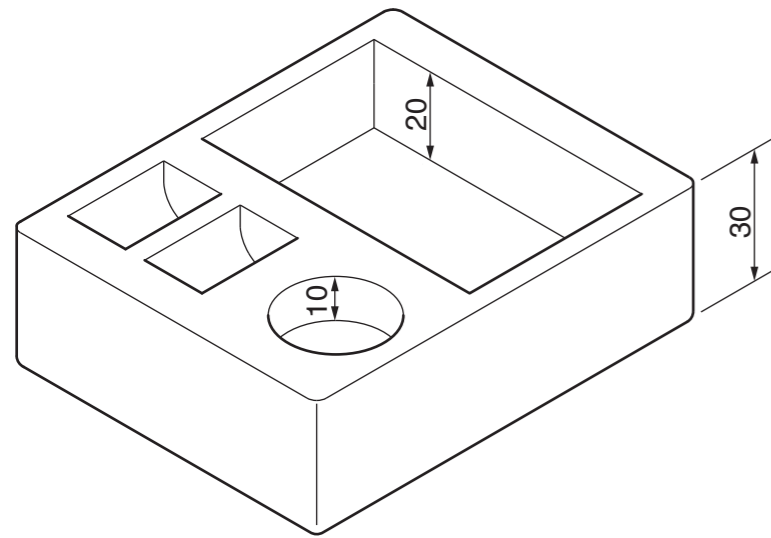
(b) State a suitable material for the clear plastic window.
 [1]

For
Examiner's
use

0445/23 Oct/Nov 2019 **1 hour**
 © UCLES 2019 DC (CE/SW) 164717/3

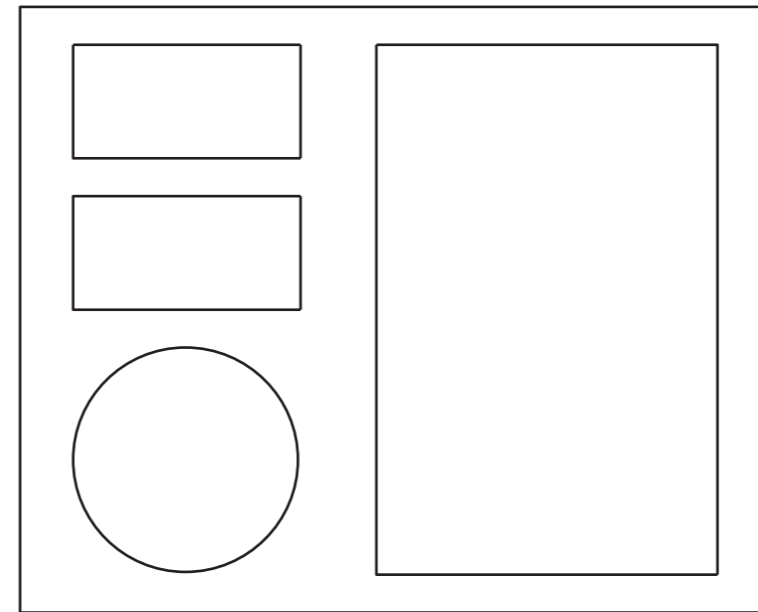
Centre Number Candidate Number Candidate Surname Other Names **[Turn over]**

A3 The foam insert is shown below.



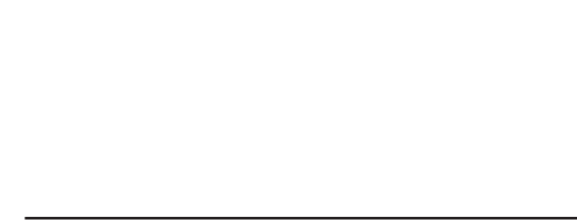
(a) Complete the orthographic view to the right by drawing:

- (i)** the missing hidden detail on the side view [4]
- (ii)** the front view including hidden detail. [7]

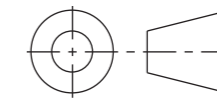


plan view

side view



front view



(b) The front view of the sleeve is shown to the right.

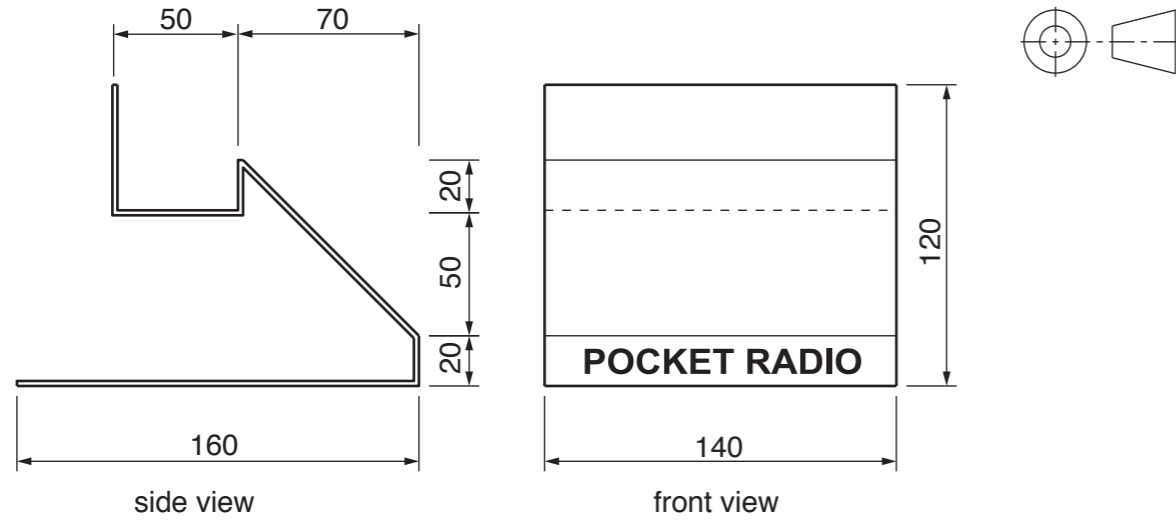
- (i)** State the scale that the front view of the sleeve has been drawn to.
.....[1]
- (ii)** Complete the missing letters of POCKET RADIO on the front view of the sleeve. [2]



Section B
Answer either question B4 or B5.

B4 Orthographic views of a point of sale display stand for the pocket radio are shown below.

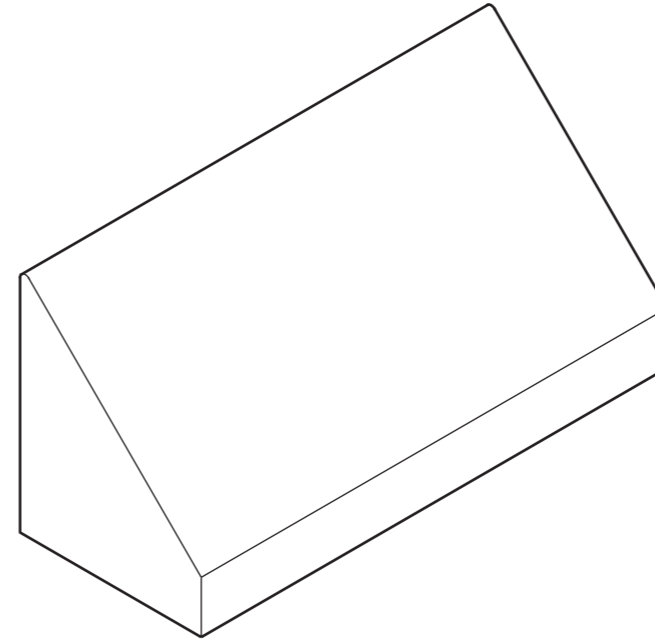
The stand is made from 2 mm acrylic.



(a) Complete the half scale isometric view of the display stand below. Ignore the thickness of the material.

(b) The point of sale display is made using wooden formers. One of the formers is shown below.

Add rendering to make the former look like softwood. [4]

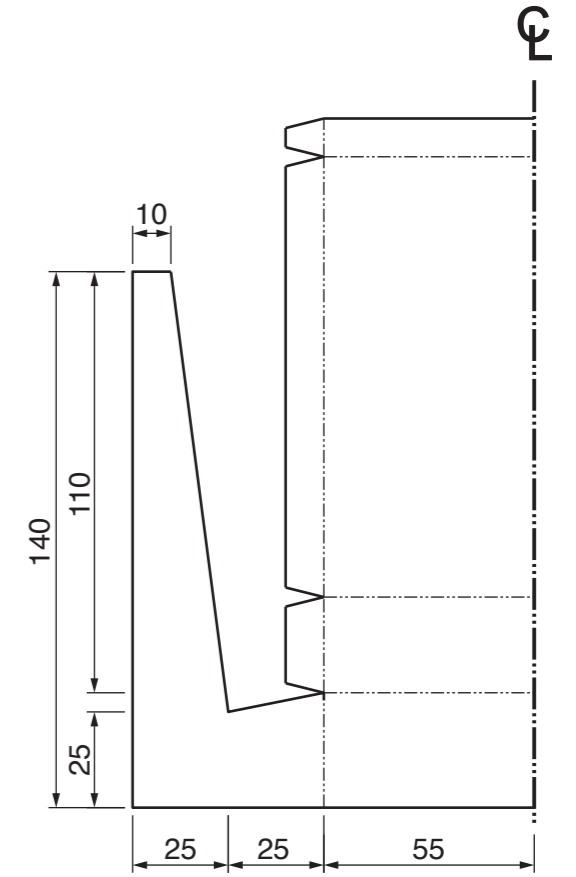


[11]

Complete in the space below a one point perspective view of the fully assembled development (net) to a scale of 1:2. [10]

(c) The left hand half of a development (net) for another point of sale display is shown below.

The development (net) is made from card.



V.P.

POCKET RADIO

0445/23 Oct/Nov 2019 **1 hour**
© UCLES 2019 DC (CE/SW) 164717/3

Centre Number

Candidate Number

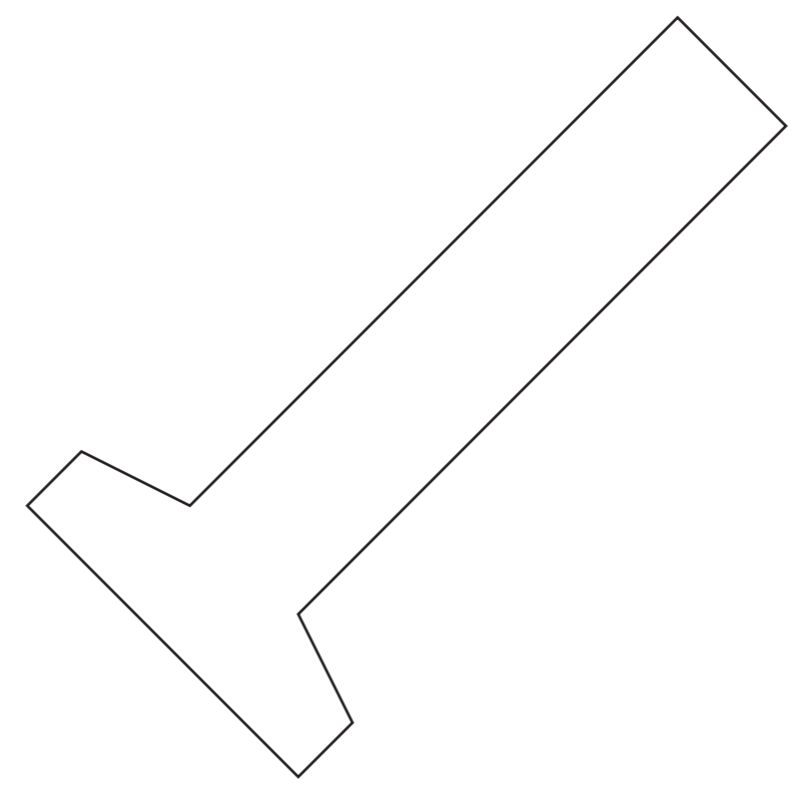
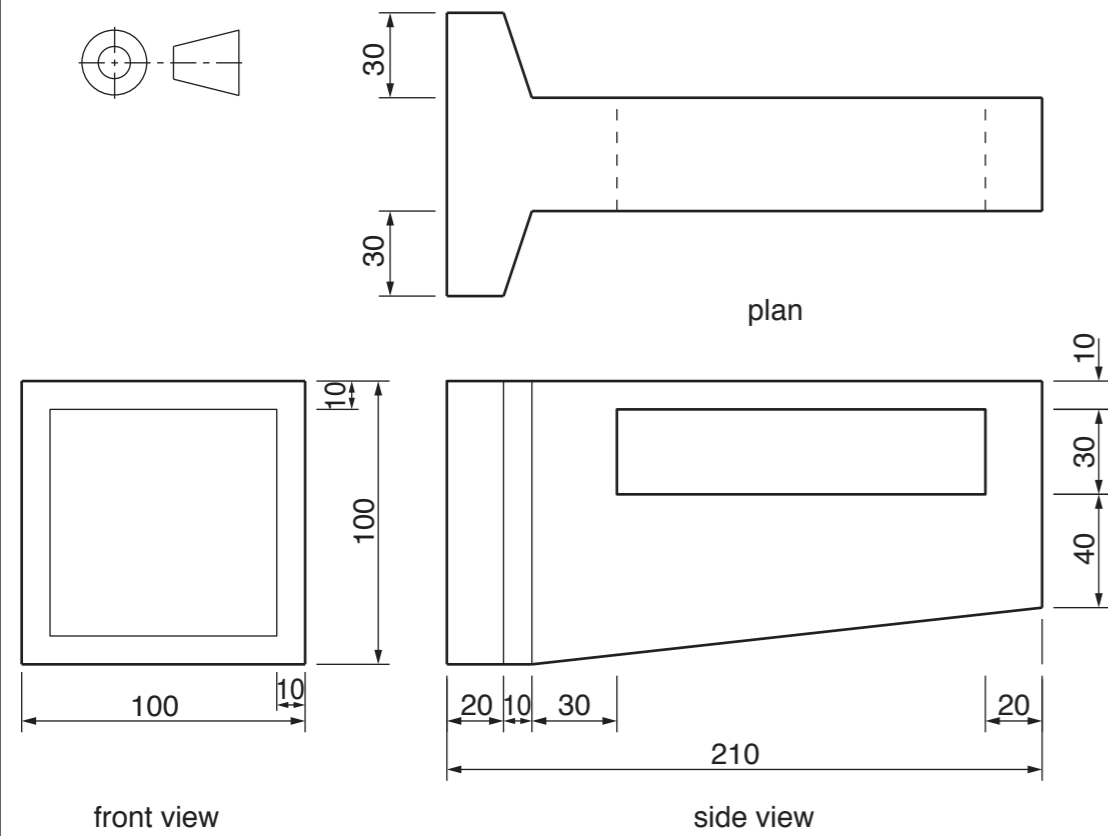
Candidate Surname

Other Names

[Turn over]

For Examiner's use

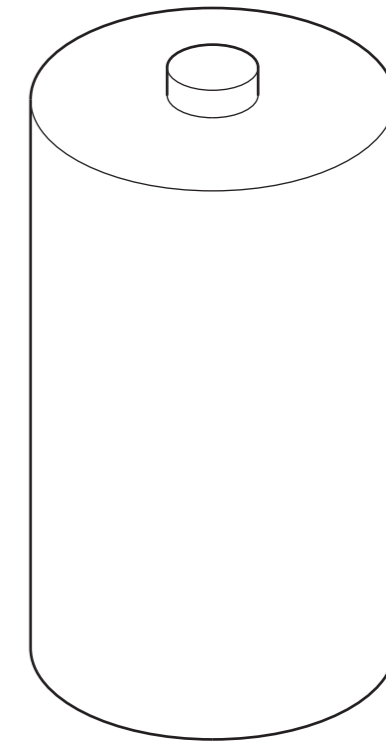
B5 Orthographic views of a handheld torch are shown below.



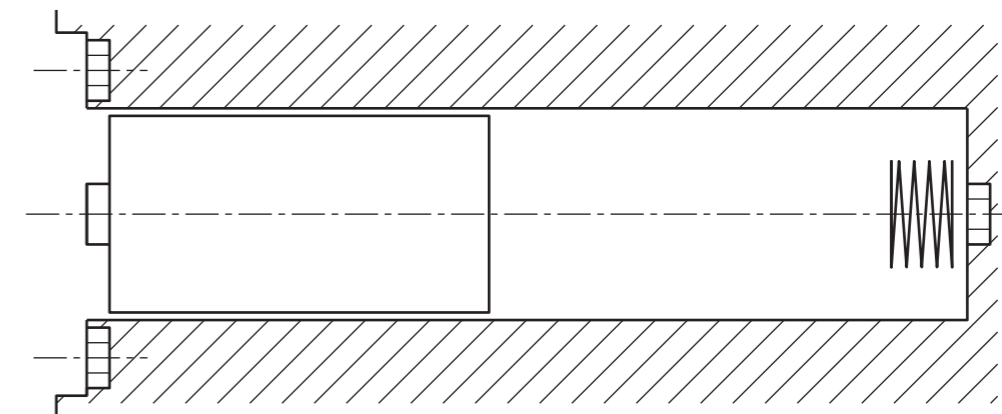
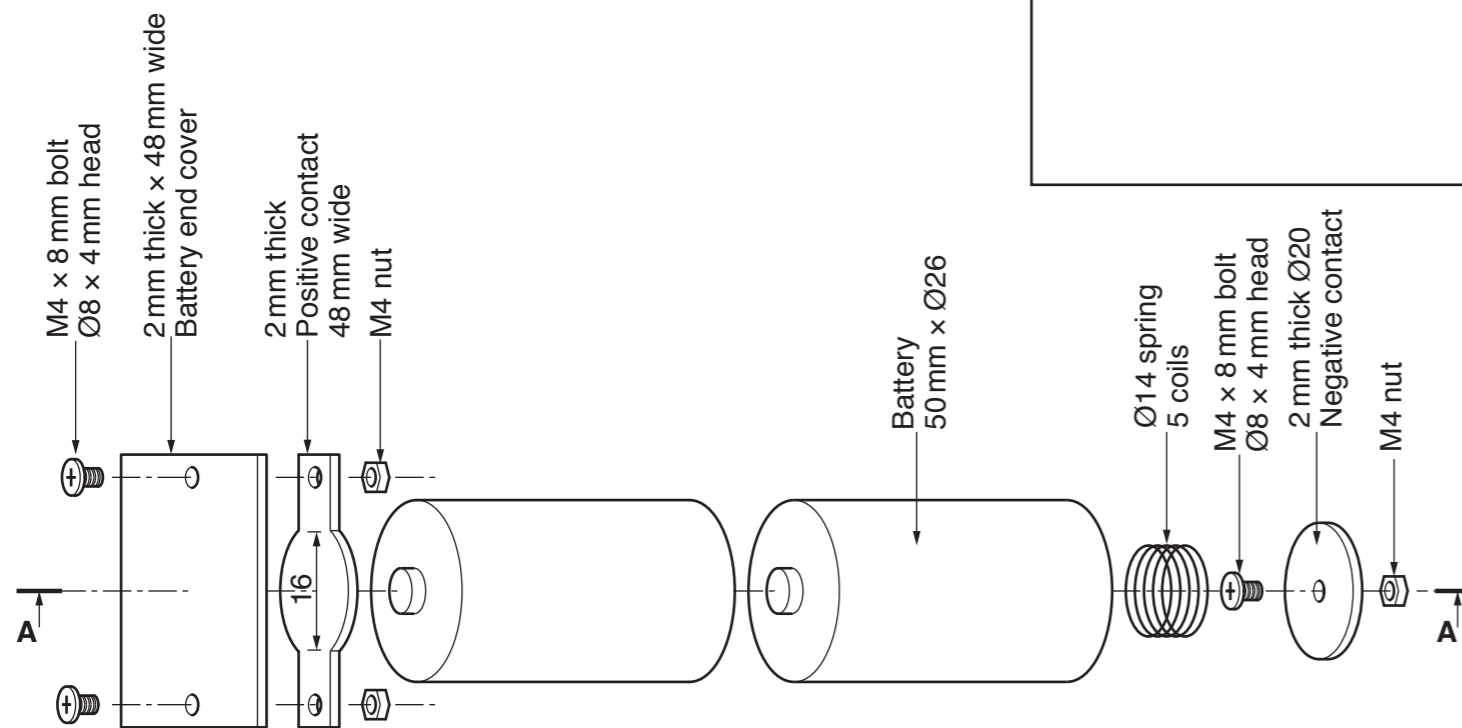
(a) Complete the planometric view of the torch to a scale of 1:2. [11]

(b) One of the batteries for the torch is shown below.

Render the battery to look 3 dimensional (3D). [3]



(c) An exploded view of the battery compartment assembly is shown below.



Sectional view on A-A

Complete the full size sectional view through the battery compartment in the space to the right.

[11]