



UNIVERSITY OF CAMBRIDGE INTERNATIONAL EXAMINATIONS
International General Certificate of Secondary Education

CANDIDATE
NAME

CENTRE
NUMBER

--	--	--	--	--

CANDIDATE
NUMBER

--	--	--	--

* 0 5 2 7 9 9 0 2 0 4 *

PHYSICAL SCIENCE

0652/61

Paper 6 Alternative to Practical

October/November 2011

1 hour

Candidates answer on the Question Paper.

No Additional Materials are required.

READ THESE INSTRUCTIONS FIRST

Write your Centre number, candidate number and name on all the work you hand in.

Write in dark blue or black pen.

You may use a soft pencil for any diagrams or graphs.

Do not use staples, paper clips, highlighters, glue or correction fluid.

DO NOT WRITE IN ANY BARCODES.

Answer **all** questions.

At the end of the examination, fasten all your work securely together.

The number of marks is given in brackets [] at the end of each question or part question.

For Examiner's Use	
1	
2	
3	
4	
5	
6	
Total	

This document consists of **20** printed pages and **4** blank pages.



- 1 Solution **A** and solution **B** contain copper(II) chloride. The science teacher tests the two solutions to see how well each conducts an electric current. Solution **A** is more concentrated than solution **B**.

The electrodes the teacher uses to test solution **A** are shown in Fig. 1.1.

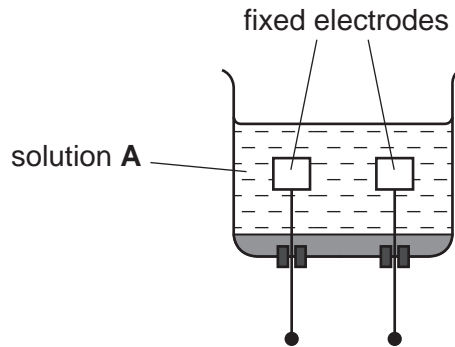


Fig. 1.1

- (a) Fig. 1.2 shows four more sets of electrodes; **P**, **Q**, **R** and **S**.

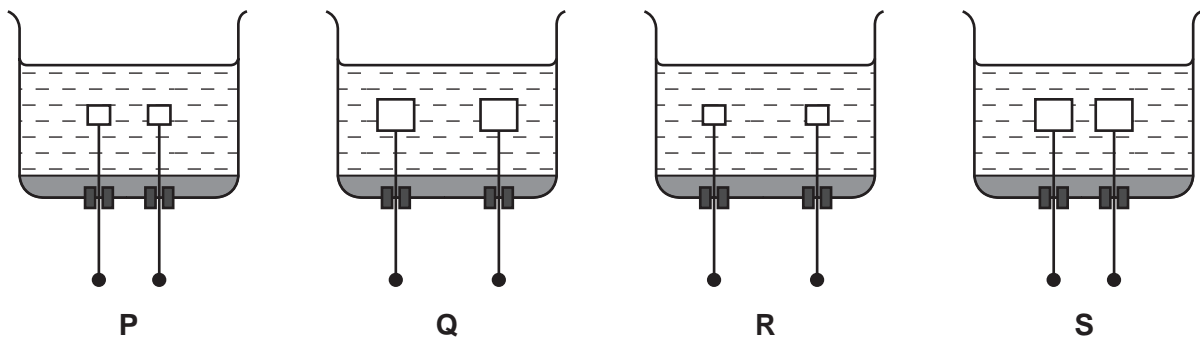


Fig. 1.2

Which set of electrodes should the teacher use to test solution **B** to allow a fair comparison of the conductivity of the two solutions?

Complete the sentence.

Set will give a fair comparison of the two solutions. [1]

(b) Fig. 1.3 shows the circuit diagram that the teacher uses for the experiment.

Fig. 1.4 shows the apparatus that needs to be arranged into the circuit shown in Fig. 1.3.

Draw lines on Fig. 1.4 to show the wires connecting all the apparatus into the circuit.

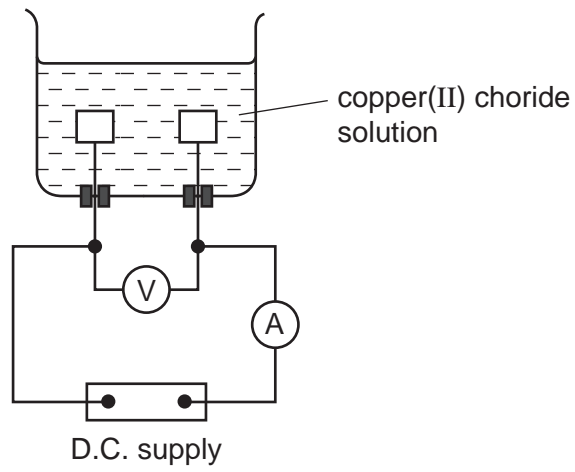


Fig. 1.3

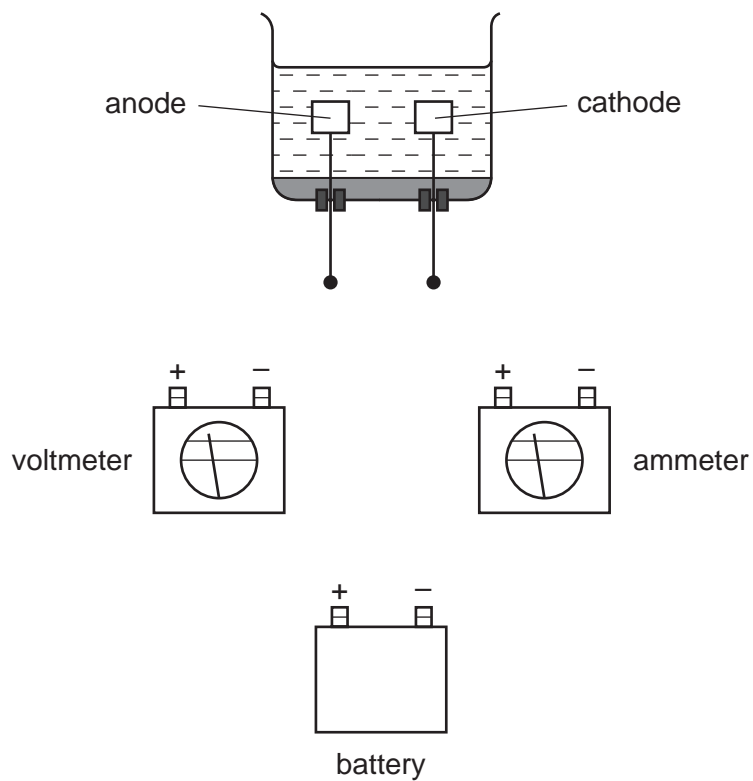


Fig. 1.4

[3]

- (c) When the circuit is complete, the science students record the meter readings solutions **A** and **B** in Table 1.1.

Table 1.1

solution	voltmeter reading/volts	ammeter reading/amps
A	4.5	
B	4.6	

Fig. 1.5 shows the ammeter readings for the two experiments.

Read the ammeters and record the readings in Table 1.1.

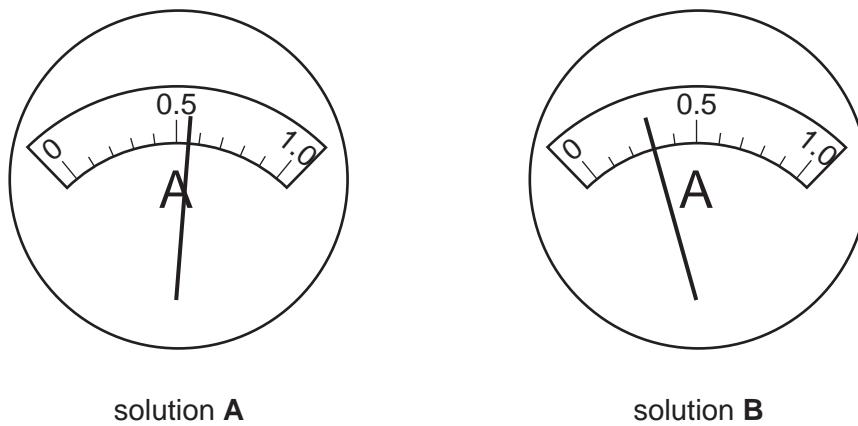


Fig. 1.5

[2]

- (d) (i) Explain how electric charge travels from one electrode to the other in the solutions.

.....
 [1]

- (ii) Explain why solution **A**, which is more concentrated than solution **B**, can conduct a larger current.

.....
 [1]

(e) Describe what the students will observe after the charge has been flowing for 10 minutes through copper(II) chloride solution.

(i) at the cathode,

..... [1]

(ii) at the anode.

..... [1]

- 2 The teacher has asked a student to investigate the speed of thermal decomposition of metal carbonates, **A**, **B** and **C**. Carbonate **C** contains the unknown metal **X**.

Fig. 2.1 shows the apparatus she is using. The metal carbonate decomposes when it is heated. The gas given off turns the limewater milky.

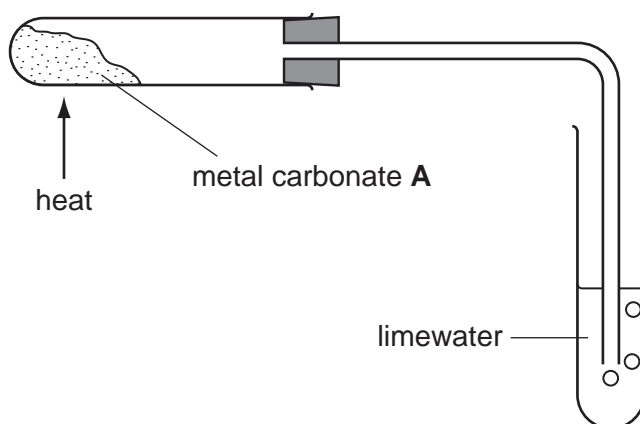


Fig. 2.1

- The student places about 1 cm depth of metal carbonate **A** in the hard-glass test-tube.
- She heats it and at the same time starts a stopclock.
- When the limewater turns milky, she stops the clock and records the result in Table 2.1.
- She records any colour change of the metal carbonate in Table 2.1.
- She repeats the experiment using metal carbonates **B** and **C**.

Table 2.1

metal carbonate	time taken for limewater to turn milky/s	colour change
A zinc carbonate		white at first, turns yellow and then becomes white on cooling
B magnesium carbonate		white at first, stays white
C carbonate of unknown metal X		green at first, turns black

- (a) Fig. 2.2 shows the stopclocks used for each test. The dials show the time taken for each carbonate to decompose and turn the limewater milky.

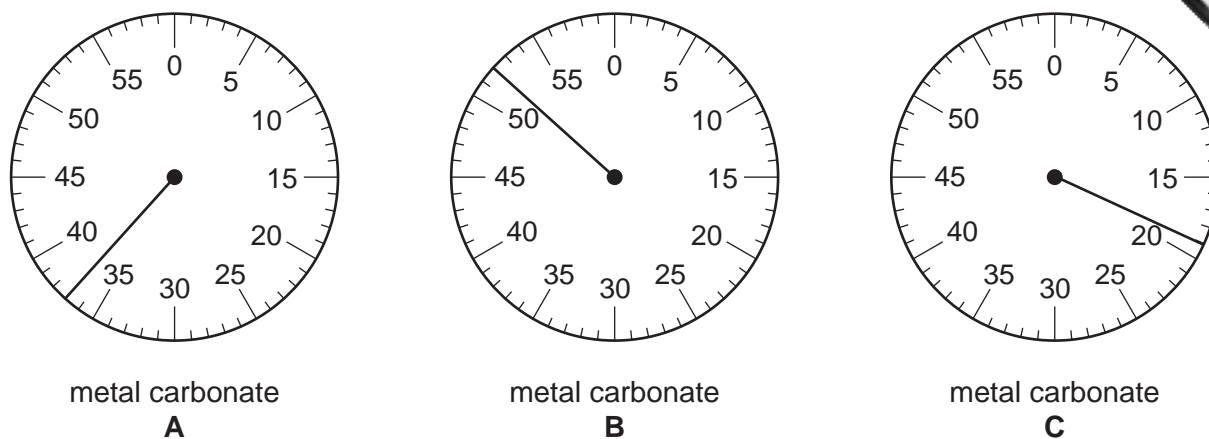


Fig. 2.2

- (i) Read the stopclock dials and record the times in Table 2.1. [3]
- (ii) Write the letters, **A**, **B** or **C**, listing the metal carbonates in order of their speed of thermal decomposition.
- 1 (fastest)
- 2
- 3 (slowest) [1]
- (b) The student wants to find out the name of the unknown metal **X** found in metal carbonate **C**. When the heated test-tube has cooled, she places the black residue in a beaker and adds 20 cm³ of dilute sulfuric acid, stirring the mixture and then filtering it.
- (i) Draw a diagram to show how she filters the mixture.

The filtered solution is blue. She adds aqueous sodium hydroxide to 2cm^3 of the solution. There is a light blue precipitate.

(ii) Suggest the name of the light blue precipitate.

..... [1]

(iii) Suggest the name of the black residue left after metal carbonate **C** was heated.

..... [1]

(c) The teacher gives the student a small piece of each of the three metals, zinc, magnesium and unknown metal **X**. She adds dilute hydrochloric acid to the metals in three separate test-tubes, shown in Fig. 2.3.

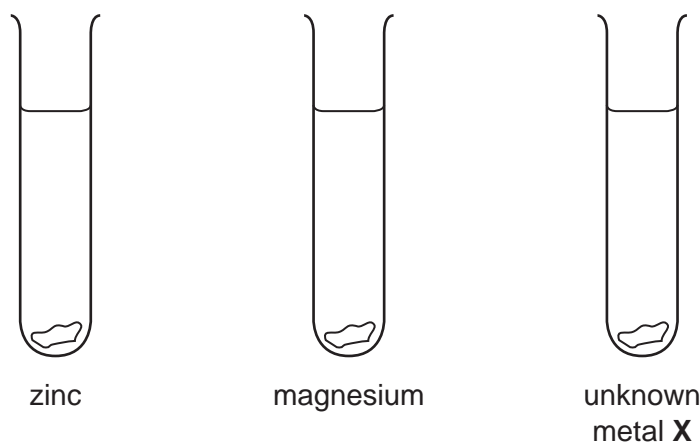


Fig. 2.3

On Fig. 2.3, draw the bubbles of gas, if any, that are produced in each test-tube. Your drawing should show clearly the different reactivity of each metal. [2]

(d) Compare your drawing in Fig. 2.3 with your answer to part (a)(ii). Can the different reactivity of the metals be used to predict the speed of thermal decomposition of the metal carbonates?

Explain your answer.

.....

 [1]

Please turn over for Question 3.

- (a) (i) Fig. 3.2 shows the angle of swing and the digital stopclock for three experiments.

Read the angle of swing and the time for each angle of swing. Record the results in Table.3.1.

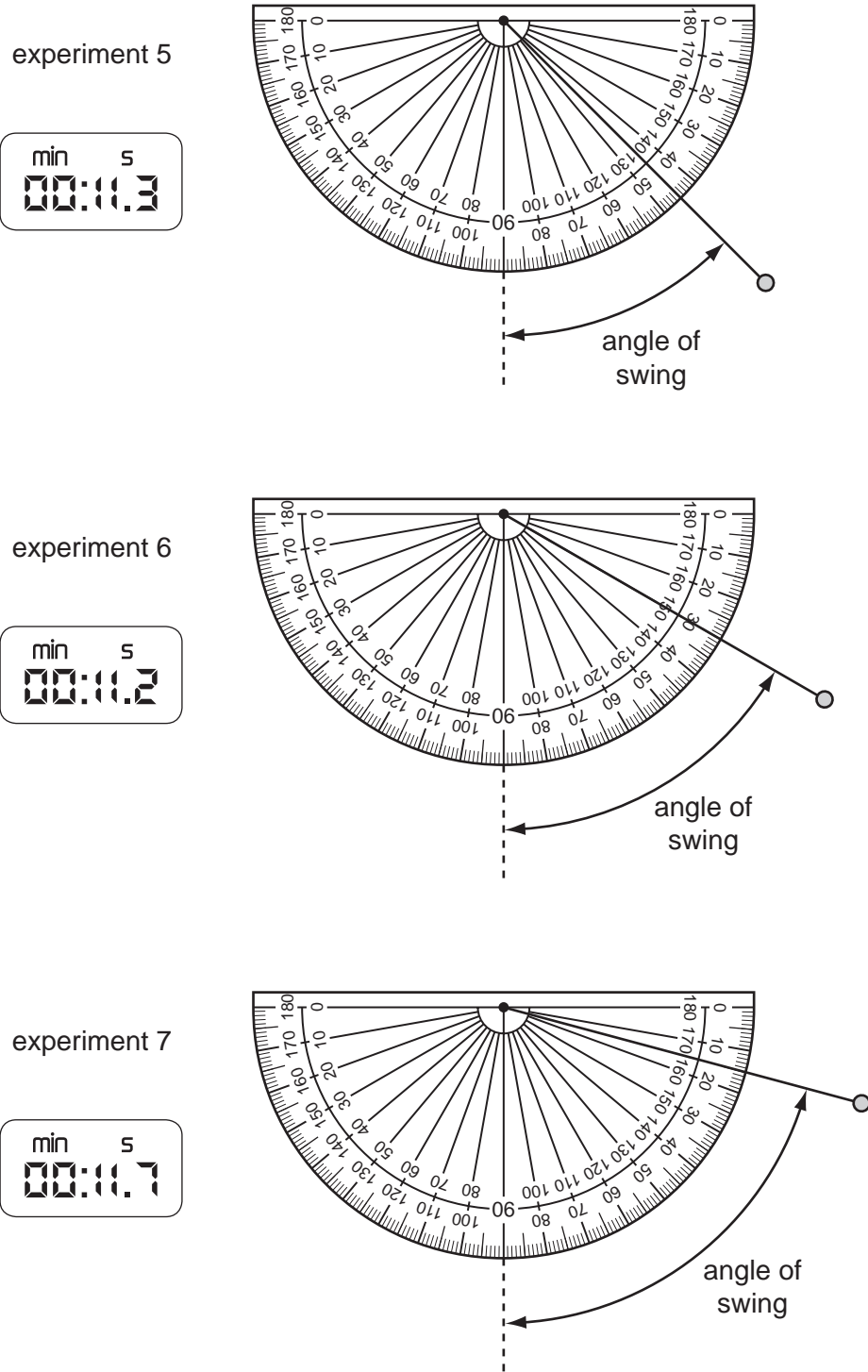
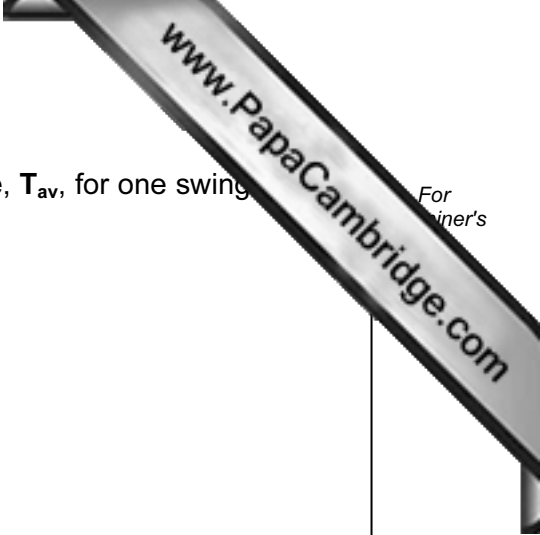


Fig. 3.2

[3]

- (ii) Complete Table 3.1 by finding the time, T , for one swing of the pendulum for each experiment. [1]



- (iii) Use the results for **T** in Table 3.1 to find the average time, **T_{av}**, for one swing of the pendulum for all experiments.

T_{av} = s [1]

- (b) Do the results show that **T**, the time for one swing, is affected by the angle of swing?

Explain your answer.

.....
 [1]

- (c) Explain how the student can make the results of his experiment more reliable.

.....

 [1]

- (d) The student is using a pendulum that is 30 cm long. Convert this value from centimetres to metres.

length of pendulum, **l** = m [1]

- (e) Use the value of **l** from part (d), **T_{av}** from part (a)(iii) and the formula below to calculate **g**, the acceleration due to gravity.

$$g = \frac{39.5 \times l}{(T_{av})^2}$$

g = m/s² [2]

- 4 (a) The science class is studying sound waves. It is a stormy day. A student sees a lightning flash over a hill some distance away and starts a timer. When he hears the thunder made by the lightning flash, he stops the timer.

Fig. 4.1 shows the dial of the timer he used, which is graduated in seconds.

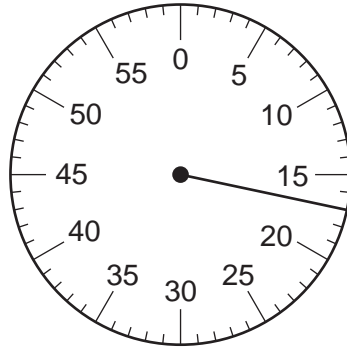


Fig. 4.1

- (i) Read the timer dial. How long does the sound of thunder take to travel from the hills to the classroom?

..... s [1]

- (ii) The speed of sound at room temperature is 340 m/s.

Calculate the distance from the hill to the classroom.

distance = m [1]

- (b) The teacher connects a signal generator to a loudspeaker. The class can hear the sound made by the signal generator. A microphone is placed near the speaker. The sound waves are shown on the screen of a cathode ray oscilloscope (c.r.o.) connected to the microphone.

The apparatus is shown in Fig. 4.2.

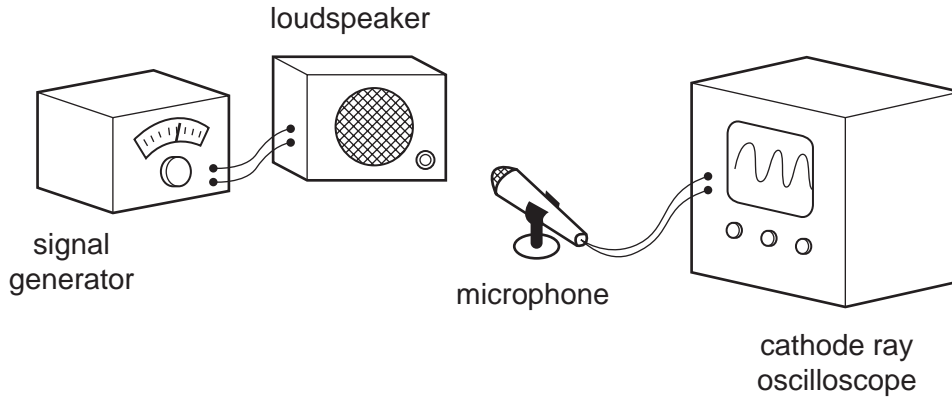


Fig. 4.2

The c.r.o. screen is shown in Fig. 4.3. A scale on the screen shows the time base used to display the waves.

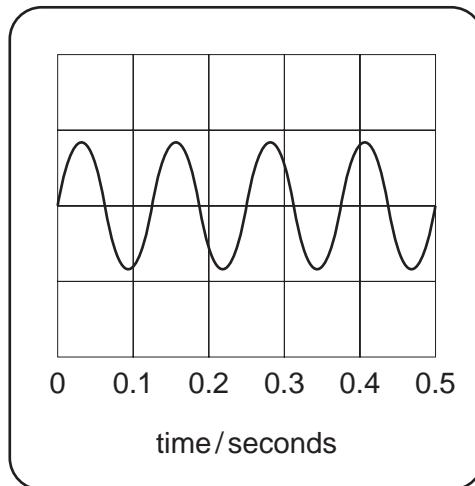


Fig. 4.3

- (i) Count the number of complete waves on the screen. Record this in Table 4.1. [1]
- (ii) Use the scale to find the time in seconds for this number of waves. Record this time in Table 4.1.

Table 4.1

number of complete waves on the screen	time taken / s	frequency / Hz

- (iii) Calculate the frequency of the waves. Use the formula

$$\text{frequency (Hz)} = \frac{\text{number of waves}}{\text{time (s)}}$$

Record the frequency in Table 4.1

[1]

- (iv) Use the formula given below and data from Table 4.1 to find the wavelength of the sound made by the signal generator.

$$\text{wavelength (m)} = \frac{340 \text{ (m/s)}}{\text{frequency (Hz)}}$$

wavelength = m [1]

- (c) Line 1 of Fig. 4.4 shows a wave produced by the signal generator which has the same frequency as the wave shown in Fig. 4.3.

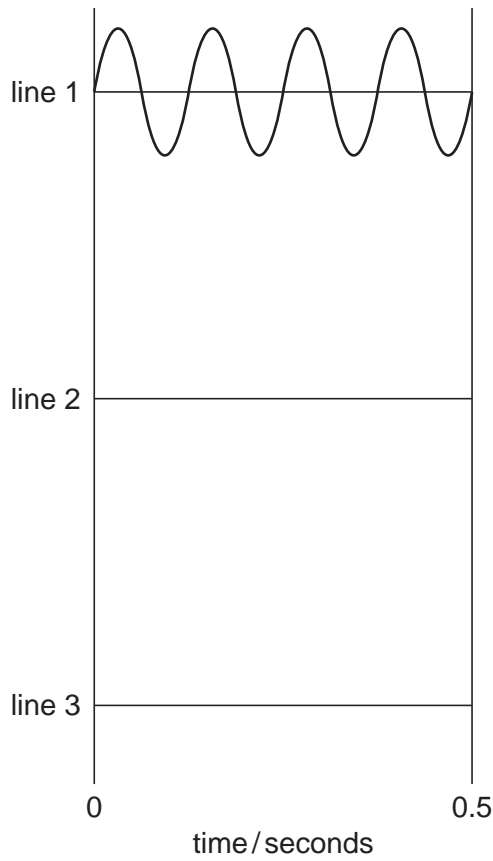


Fig. 4.4

- (i) The teacher increases the frequency of the wave produced by the signal generator.

On line 2 of Fig. 4.4, draw a wave that has a higher frequency than the wave in line 1. [1]

- (ii) The teacher returns to the original frequency and now increases the loudness of the sound made by the signal generator.

On line 3 of Fig. 4.4, draw a wave which has the same frequency as the wave on line 1 but makes a louder sound. [2]

- (d) Sound is heard when a longitudinal wave strikes the eardrum.

What type of wave is seen on the c.r.o. screen? [1]

Please turn over for Question 5.

- 5 The teacher gives her students five gas-jars, each containing a different gas. The gases are labelled **A, B, C, D** and **E**. She also gives them a key to use to determine the name of each gas. The key is shown in Fig. 5.1.

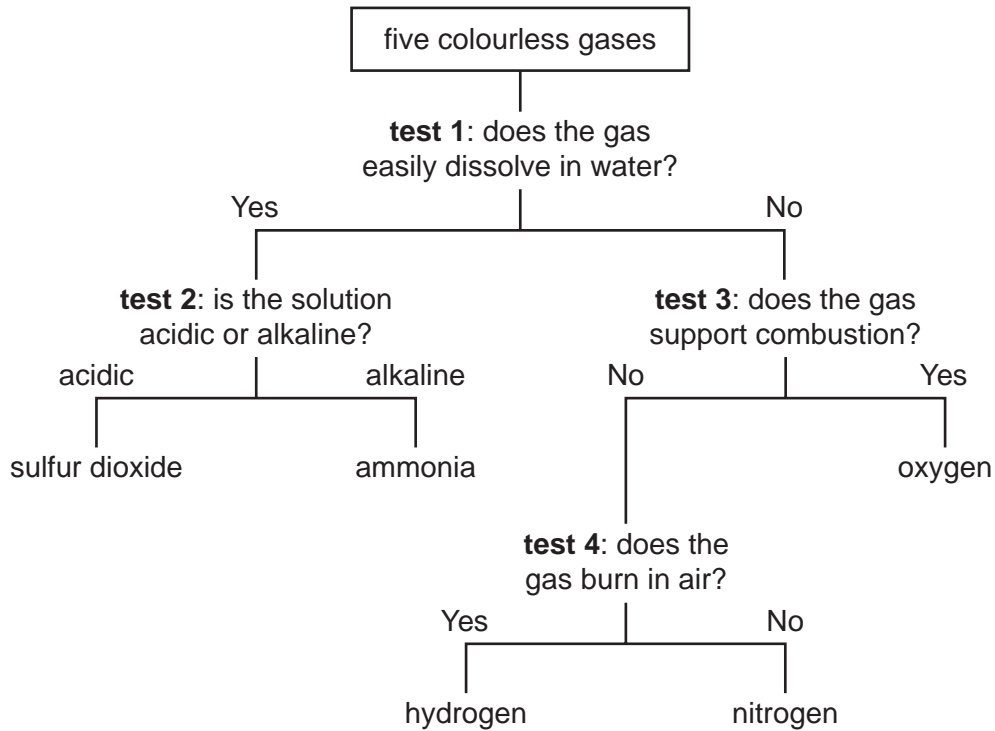


Fig. 5.1

Fig. 5.2 shows a gas-jar of gas that has been inverted and placed in a bowl of water with its lid still on.

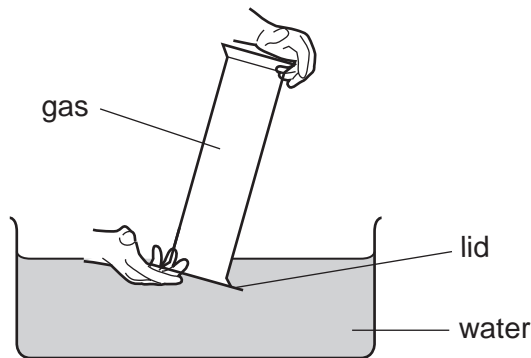


Fig. 5.2

One student is testing one of the gases to see if it will dissolve in water. He places the mouth of the gas-jar in the water. He then removes the lid of the gas-jar.

- (a) (i) Describe what he observes if the gas **does** dissolve in the water in the bowl.

..... [1]

- (ii) Explain why this happens.

.....
 [1]

(b) Assuming that the gas in the gas-jar in Fig. 5.2 has dissolved in the water, explain how you can carry out **test 2**, shown in Fig. 5.1, on the solution in the bowl. Give the results for an acidic gas and an alkaline gas.

test 2 [1]
 [1]
 result for acid gas [1]
 result for alkaline gas [1]

(c) Explain how you would carry out **test 3**, shown in Fig. 5.1, on a gas-jar of gas. Describe the result for oxygen.

test 3 [1]
 [1]
 result for oxygen [1]

(d) Explain how you would carry out **test 4**, shown in Fig. 5.1, on a gas-jar of gas. Describe the result for hydrogen.

test 4 [1]
 [1]
 result for hydrogen [1]

The conclusions that the students made, after carrying out all of the tests, are shown in Table 5.1.

Table 5.1

gas A	gas B	gas C	gas D	gas E
oxygen	sulfur dioxide	nitrogen	ammonia	hydrogen

(e) Suggest the names of **two** of the gases listed in Table 5.1 that will react together, when mixed at room temperature and pressure, without using either a catalyst or a flame.

..... and [1]

- 6 A student is comparing the electrical resistances of two pieces of resistance wire, X and Y. The wires are made from the same alloy but are different in length and thickness.

The pieces of wire are shown in Fig. 6.1.

wire X



wire Y



Fig. 6.1

- (a) Measure the lengths of wire X and wire Y in centimetres to the nearest millimetre. Record the lengths in Table 6.1.

Table 6.1

wire	X	Y
length/cm		
thickness/millimetres	0.2	0.9

[2]

The student uses the circuit shown in Fig. 6.2 to find the resistance of the wires.

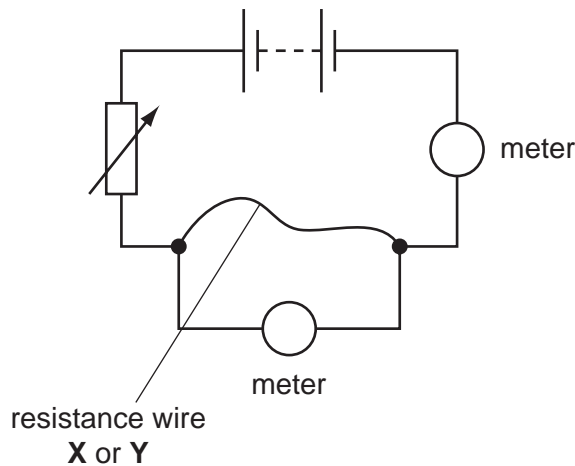


Fig.6.2

- (b) (i) Complete the diagram in Fig. 6.2 by writing the letters **A** and **V** to show the ammeter and voltmeter in the correct places. [1]

- (ii) Fig. 6.3 shows the voltmeter and ammeter readings when one of the wires is connected in the circuit.

Read the meters and record the readings in column 1 of Table 6.2.

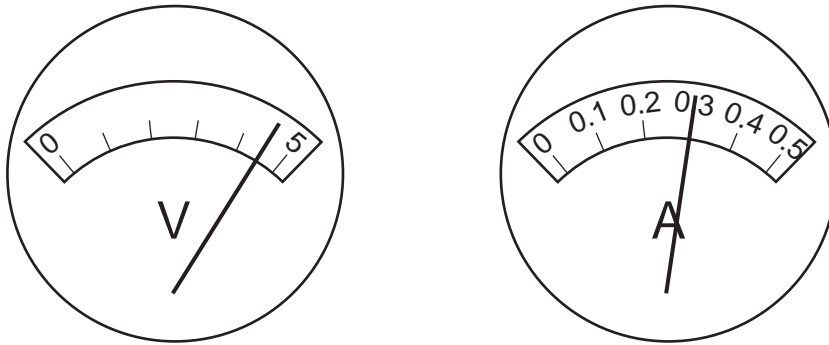


Fig. 6.3

Table 6.2

	column 1	column 2
current/ amps		2.5
voltage/ volts		0.5
resistance/ ohms		0.2

[2]

- (iii) Use the data in column 1 of Table 6.2 to calculate the resistance of this wire. Record the resistance in Table 6.2.

[2]

- (c) The student has forgotten which wire he used to record the data in each column of Table 6.2.

- (i) Decide which wire, **X** or **Y**, produced the results shown in column 1, and which wire produced the results shown in column 2.

Complete the sentences.

Column 1 shows the data for wire

Column 2 shows the data for wire

[1]



(ii) Explain your choice in (c)(i) by stating how the lengths and thicknesses of the wires affect their electrical resistance.

.....

.....

.....

..... [2]

