



UNIVERSITY OF CAMBRIDGE INTERNATIONAL EXAMINATIONS
International General Certificate of Secondary Education

COMBINED SCIENCE

0653/11

Paper 1 Multiple Choice

May/June 2010

45 minutes

Additional Materials: Multiple Choice Answer Sheet
Soft clean eraser
Soft pencil (type B or HB is recommended)



READ THESE INSTRUCTIONS FIRST

Write in soft pencil.

Do not use staples, paper clips, highlighters, glue or correction fluid.

Write your name, Centre number and candidate number on the Answer Sheet in the spaces provided unless this has been done for you.

There are **forty** questions on this paper. Answer **all** questions. For each question there are four possible answers **A, B, C** and **D**.

Choose the **one** you consider correct and record your choice in **soft pencil** on the separate Answer Sheet.

Read the instructions on the Answer Sheet very carefully.

Each correct answer will score one mark. A mark will not be deducted for a wrong answer.

Any rough working should be done in this booklet.

A copy of the Periodic Table is printed on page **20**.

This document consists of **17** printed pages and **3** blank pages.



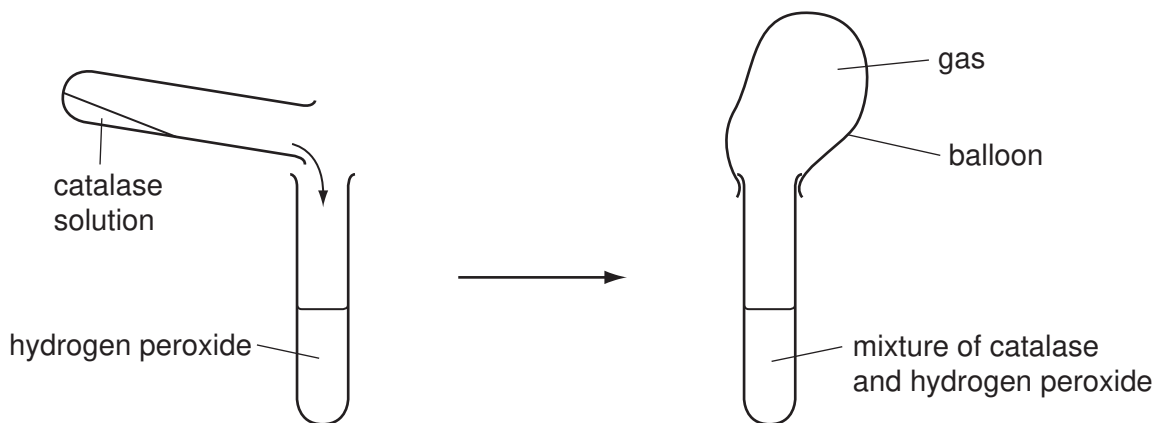
1 Which part of a plant cell controls what enters and leaves the cell?

- A cell sap
- B cell surface membrane
- C cellulose cell wall
- D cytoplasm

2 Which substances may diffuse into and out of plant cells?

	into plant cells	out of plant cells
A	chlorophyll	oxygen
B	oxygen	water
C	starch	chlorophyll
D	water	starch

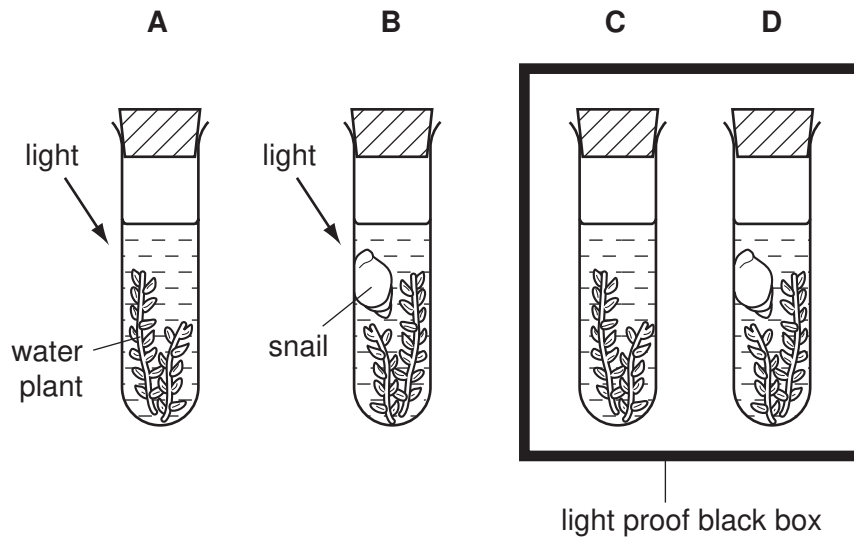
3 The diagram shows a simple experiment using a solution of the enzyme catalase.



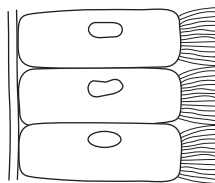
Which gas is collected in the balloon?

- A carbon dioxide
- B hydrogen
- C nitrogen
- D oxygen

- 4 The diagram shows the apparatus used in an investigation on gas exchange in organisms.
In which test-tube would the concentration of oxygen decrease most rapidly?



- 5 Which nutrients in the diet will help to prevent leg bones becoming deformed?
- A calcium and vitamin C
 B calcium and vitamin D
 C iron and vitamin C
 D iron and vitamin D
- 6 The diagram shows some cells from the lining of the human trachea.

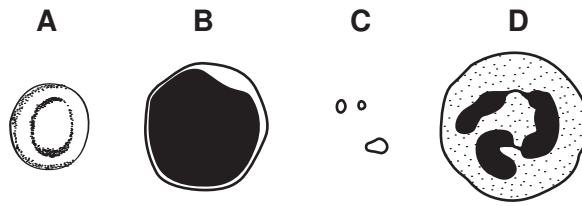


What is the function of these cells?

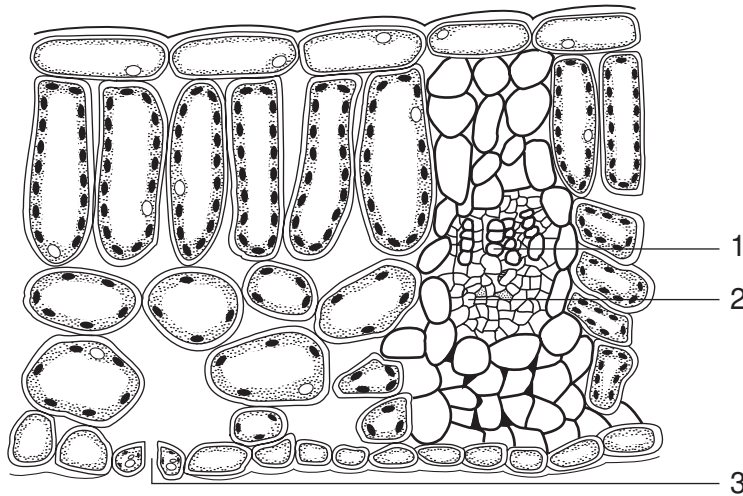
- A absorption of oxygen into the blood
 B excretion of carbon dioxide from the blood
 C removal of mucus from the trachea
 D secretion of mucus into the trachea

7 The diagram shows four components of blood.

Which component contains haemoglobin?



8 The diagram shows a section through a leaf.



Which part brings water to the leaf and through which part does water leave the leaf?

	brings water	water leaves
A	1	2
B	1	3
C	2	1
D	3	1

9 What effect does drinking alcohol have on the following:

- the rate at which signals pass along nerves,
- the length of reaction time?

	rate at which signals pass along nerves	length of reaction time
A	faster	longer
B	faster	shorter
C	slower	longer
D	slower	shorter

10 A variety of potato plant produces red tubers ('potatoes') that grow into new potato plants which then produce red 'potatoes' the following year.

Why is this?

- A** Asexual reproduction produces identical potato plants.
- B** Asexual reproduction results in different coloured 'potatoes'.
- C** Sexual reproduction produces only red 'potatoes'.
- D** Sexual reproduction requires the potato plant to produce flowers.

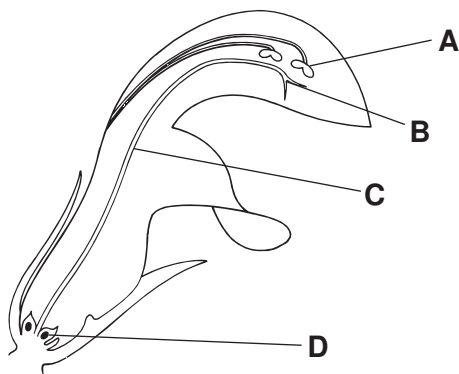
11 The table shows three ways in which different methods of birth control work.

Which correctly links the methods with how they work?

	prevents ovulation	prevents sperm release	prevents zygote implantation
A	IUD	sterilisation	cap
B	pill	rhythm	condom
C	pill	sterilisation	IUD
D	rhythm	condom	IUD

12 The diagram shows a section through a flower.

Where does fertilisation occur?

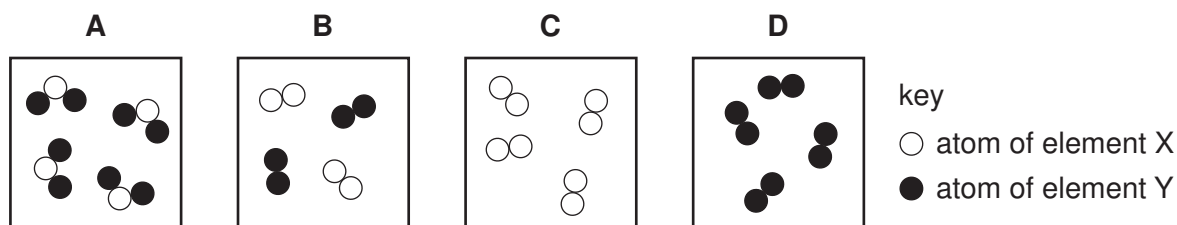


13 Rain forests have high species diversity.

What is meant by the term *species diversity*?

- A Members of a species in the forest are scattered over a wide area.
- B Members of a species show a wide range of variations.
- C There are many different species present.
- D The same species are found in many different rain forests in the world.

14 Which diagram represents a mixture of elements?



15 A solid is ionic.

Which property best confirms this fact?

- A its behaviour as an electrolyte
- B its melting point
- C its solubility in water
- D the shape of its crystals

19 Which processes are used to purify the drinking water from reservoirs?

	chlorination	distillation	filtration
A	✓	✓	✓
B	✓	✓	x
C	✓	x	✓
D	x	✓	✓

20 Which method is used to obtain iron from iron(III) oxide?

- A** combustion
- B** electrolysis
- C** reduction
- D** thermal decomposition

21 The table gives, for two metals, the colours of their solids and their aqueous ions.

metal	colour of	
	solid	aqueous ion
copper	red-brown	blue
zinc	grey	colourless

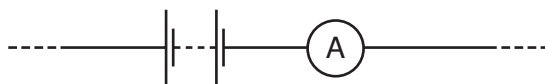
Equal amounts of powdered copper and powdered zinc are mixed together.

The mixture is added to dilute sulfuric acid in a test-tube until the acid is just used up. Some powder then remains at the bottom of the test-tube.

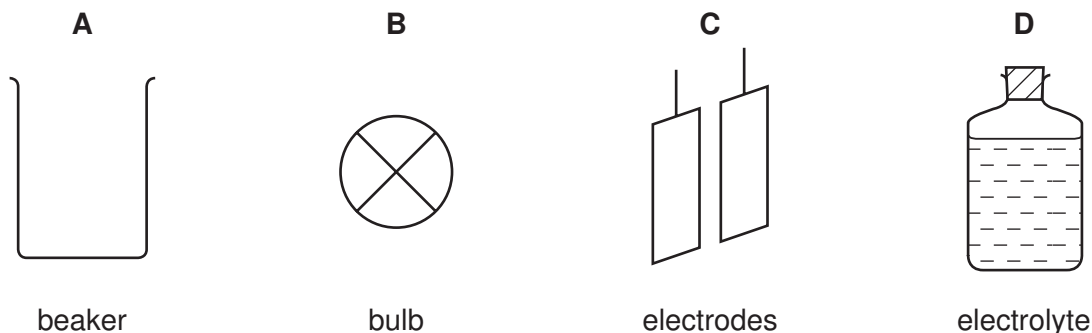
What are the colours of the remaining powder and the solution in the test-tube?

	powder	solution
A	grey	blue
B	grey	colourless
C	red-brown	blue
D	red-brown	colourless

22 Part of the apparatus used to electrolyse aqueous copper(II) chloride is shown.



Which piece of apparatus is **not** required in this experiment?



23 A student carries out experiments with zinc and dilute hydrochloric acid.

Which change in conditions makes the reaction slower?

- A adding a suitable catalyst
- B increasing the concentration of the acid
- C increasing the particle size of the zinc
- D increasing the temperature

24 What happens to a piece of magnesium when it burns in air?

- A oxidation and combustion
- B oxidation and thermal decomposition
- C reduction and combustion
- D reduction and thermal decomposition

25 This description of a plastic is incomplete.

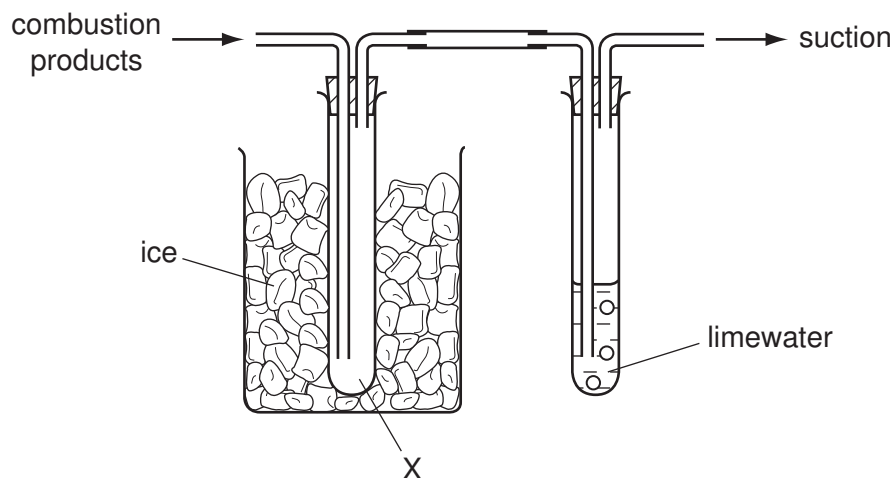
To make a plastic,1..... of a2..... combine to form a long chain3..... .

Which words correctly complete the gaps?

	1	2	3
A	atoms	monomer	polymer
B	atoms	polymer	monomer
C	molecules	monomer	polymer
D	molecules	polymer	monomer

26 A hydrocarbon is burned in excess oxygen.

The combustion products are passed through the apparatus shown.



What collects at X and what happens to the limewater?

	collects at X	limewater turns
A	soot	cloudy
B	soot	red
C	water	cloudy
D	water	red

27 Coal, hydrogen, methane and gasoline (petrol) are commonly used as fuels.

How many of these fuels are solids, liquids or gases?

	solids	liquids	gases
A	0	2	2
B	1	1	2
C	1	2	1
D	2	2	0

28 The table shows the dimensions of four rectangular blocks.

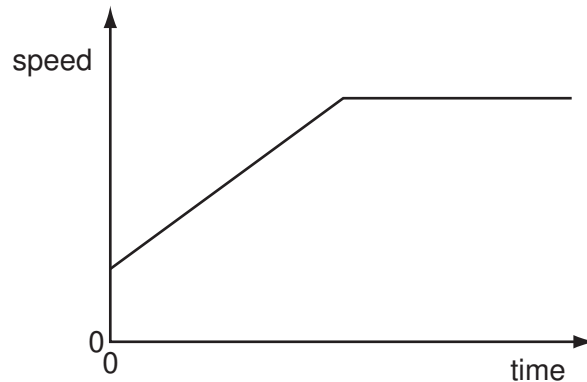
Which block has a volume of 3 m^3 ?

	height / cm	width / cm	depth / cm
A	100	100	100
B	300	100	100
C	300	300	100
D	300	300	300

29 Which statement is correct?

- A Mass is a force.
- B Mass is measured in newtons.
- C Weight is a force.
- D Weight is measured in kilograms.

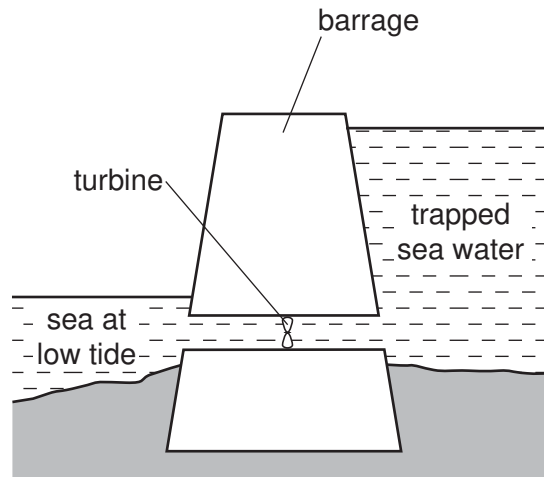
30 The data from an aeroplane flight recorder is used to plot the speed / time graph for part of the flight.



Which statement describes this part of the flight?

- A The aeroplane accelerates from rest to a constant speed.
- B The aeroplane decelerates after flying at a constant speed.
- C The aeroplane reaches a constant speed after a period of changing speed.
- D The aeroplane travels at an increasing speed followed by a decreasing speed.

- 31 In which situation would the object described be given an increase in its total energy?
- A a battery-powered torch being switched on
 - B a firework exploding
 - C a parachutist falling to the ground
 - D a skier being pulled up a slope
- 32 A tidal power station is made by building a barrage. At high tide the sea water is trapped behind the barrage.



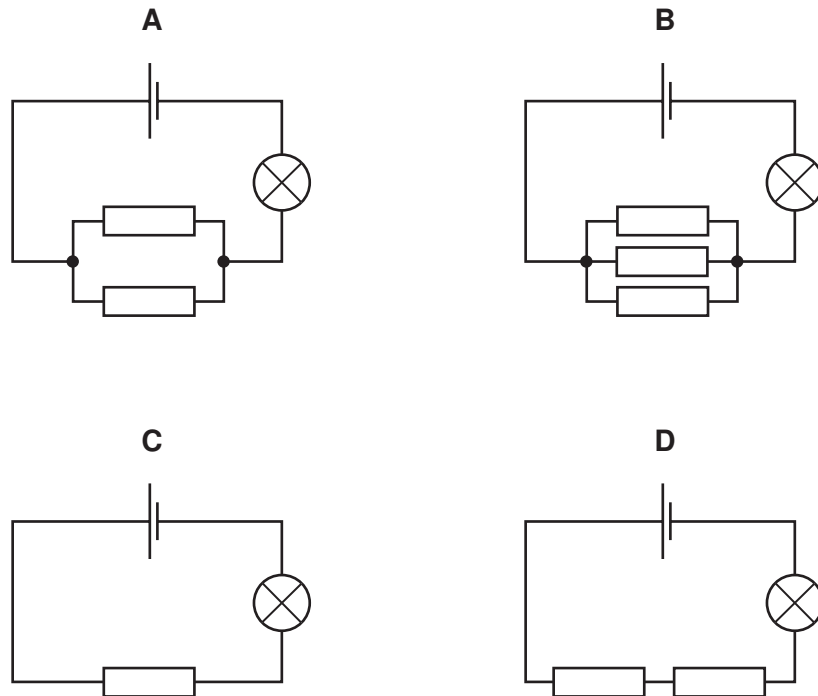
At low tide the water is allowed to flow back into the sea through a turbine.

What is the useful energy change in a tidal power station?

- A electrical energy \rightarrow kinetic energy
- B electrical energy \rightarrow potential energy
- C kinetic energy \rightarrow potential energy
- D potential energy \rightarrow electrical energy

33 In each of the circuits shown, identical resistors, cells and lamps are used.

In which circuit will the lamp glow most brightly?

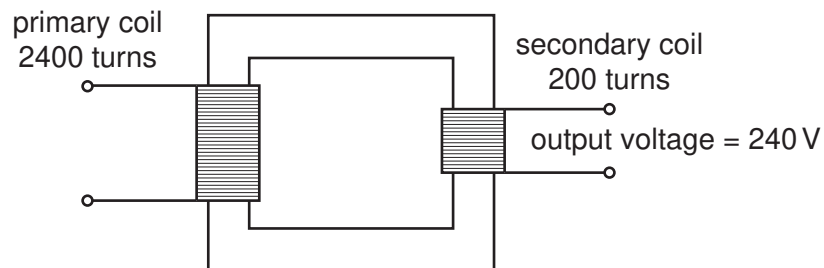


34 Electrical appliances are often fitted with a fuse.

What is the purpose of the fuse?

- A to adjust the voltage supplied to the correct value
- B to allow the appliance to be switched on by a small current
- C to cut the power supply if the appliance is used too often
- D to cut the power supply if the current becomes too large

35 A transformer has 2400 turns on its primary coil and 200 turns on its secondary coil.

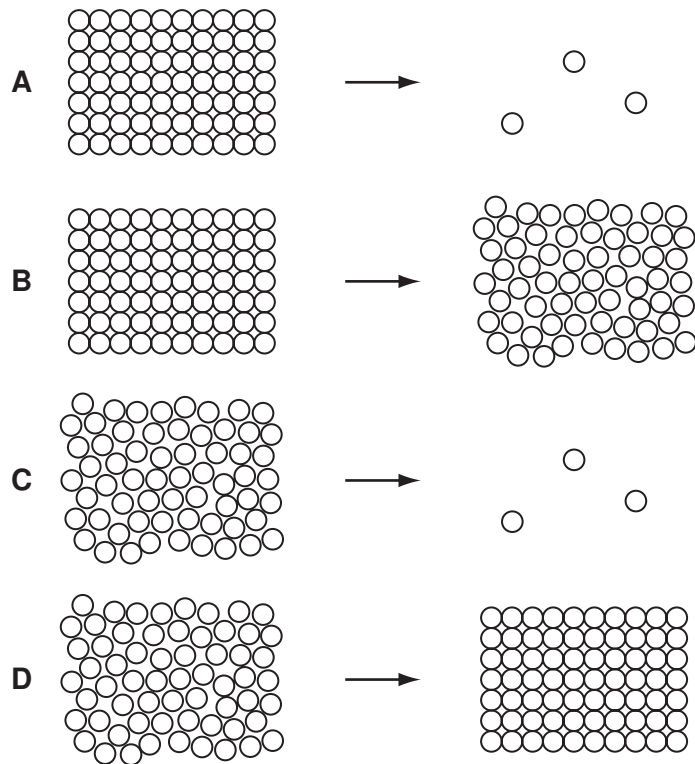


Assuming the transformer is 100 % efficient, what input voltage is needed to give an output voltage of 240V?

- A 12V
- B 20V
- C 240V
- D 2880V

36 Water spilled on the ground on a hot day evaporates.

Which diagram represents the change in arrangement of the particles in the water as it evaporates?



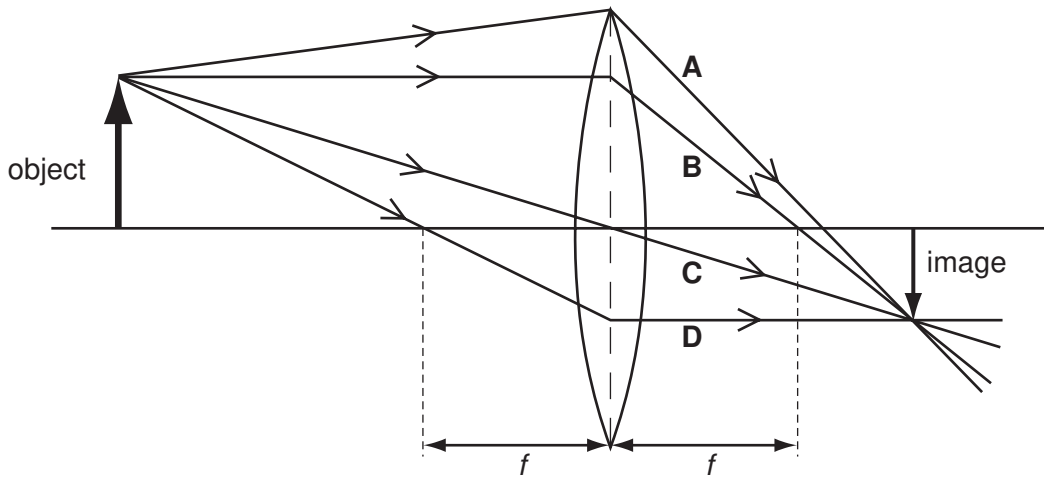
37 There is a vacuum between the double walls of a vacuum flask.

Which types of heat transfer are reduced by the vacuum?

- A conduction and convection only
- B conduction and radiation only
- C convection and radiation only
- D conduction, convection and radiation

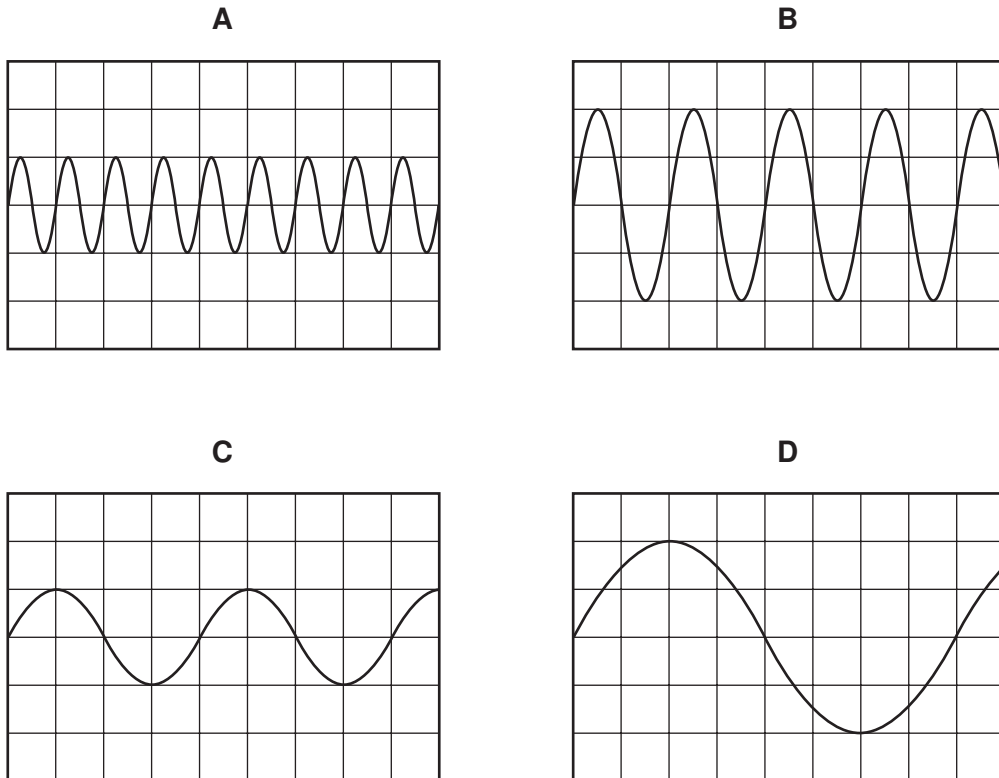
38 A ray diagram is drawn to locate the position of the image formed by a converging lens of focal length f .

Which ray **cannot** be drawn until the position of the image is known?

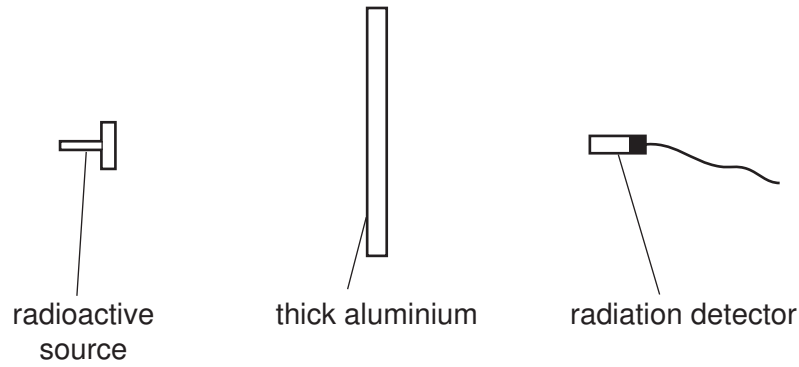


39 The diagrams show the wave patterns of four notes shown on a cathode ray oscilloscope. The oscilloscope controls are set the same for each sound.

Which note has the highest pitch?



40 The diagram shows a radioactive source, a thick aluminium sheet and a radiation detector.



The radiation detector shows a reading greater than the background reading.

Which type of radiation is being emitted by the source and detected by the detector?

- A alpha-radiation
- B beta-radiation
- C gamma-radiation
- D infra-red radiation

DATA SHEET
The Periodic Table of the Elements

		Group											
		I	II	III	IV	V	VI	VII	VIII	IX	X		
		1 H Hydrogen 1										4 He Helium 2	
7 Li Lithium 3	9 Be Beryllium 4											19 F Fluorine 9	
23 Na Sodium 11	24 Mg Magnesium 12	27 Al Aluminium 13	28 Si Silicon 14	31 P Phosphorus 15	32 S Sulfur 16	35.5 Cl Chlorine 17	36 Ar Argon 18						20 Ne Neon 10
39 K Potassium 19	40 Ca Calcium 20	70 Ga Gallium 31	73 Ge Germanium 32	75 As Arsenic 33	76 Se Selenium 34	79 Br Bromine 35	84 Kr Krypton 36						86 Rn Radon 86
85 Rb Rubidium 37	88 Sr Strontium 38	101 Ru Ruthenium 44	106 Pd Palladium 46	112 Cd Cadmium 48	119 Sn Tin 50	122 Sb Antimony 51	127 I Iodine 53						131 Xe Xenon 54
133 Cs Caesium 55	137 Ba Barium 56	190 Os Osmium 76	195 Pt Platinum 78	201 Hg Mercury 80	207 Pb Lead 82	209 Bi Bismuth 83	210 Po Polonium 84						210 At Astatine 85
226 Ra Radium 88	227 Ac Actinium 89											227 Fr Francium 87	
*58-71 Lanthanoid series													
†90-103 Actinoid series													
140 Ce Cerium 58	141 Pr Praseodymium 59	144 Nd Neodymium 60	150 Sm Samarium 62	152 Eu Europium 63	157 Gd Gadolinium 64	162 Dy Dysprosium 66	165 Ho Holmium 67	167 Er Erbium 68	169 Tm Thulium 69	173 Yb Ytterbium 70	175 Lu Lutetium 71	103 Lr Lawrencium 103	
232 Th Thorium 90	238 U Uranium 92	238 Pa Protactinium 91	238 Np Neptunium 93	238 Pu Plutonium 94	238 Am Americium 95	238 Cm Curium 96	238 Bk Berkelium 97	238 Cf Californium 98	238 Es Einsteinium 99	238 Fm Fermium 100	238 Md Mendelevium 101	238 No Nobelium 102	

a = relative atomic mass

X = atomic symbol

b = proton (atomic) number

Key

	X		
a	b	c	d

The volume of one mole of any gas is 24 dm³ at room temperature and pressure (r.t.p.).

Permission to reproduce items where third-party owned material protected by copyright is included has been sought and cleared where possible. Every reasonable effort has been made by the publisher (UCLES) to trace copyright holders, but if any items requiring clearance have unwittingly been included, the publisher will be pleased to make amends at the earliest possible opportunity.

University of Cambridge International Examinations is part of the Cambridge Assessment Group. Cambridge Assessment is the brand name of University of Cambridge Local Examinations Syndicate (UCLES), which is itself a department of the University of Cambridge.