



UNIVERSITY OF CAMBRIDGE INTERNATIONAL EXAMINATIONS  
International General Certificate of Secondary Education

**CO-ORDINATED SCIENCES**

**0654/11**

Paper 1 Multiple Choice

**May/June 2010**

**45 minutes**

Additional Materials: Multiple Choice Answer Sheet  
Soft clean eraser  
Soft pencil (type B or HB is recommended)

\* 2 3 9 2 5 5 7 3 0 6 \*

**READ THESE INSTRUCTIONS FIRST**

Write in soft pencil.

Do not use staples, paper clips, highlighters, glue or correction fluid.

Write your name, Centre number and candidate number on the Answer Sheet in the spaces provided unless this has been done for you.

There are **forty** questions on this paper. Answer **all** questions. For each question there are four possible answers **A, B, C** and **D**.

Choose the **one** you consider correct and record your choice in **soft pencil** on the separate Answer Sheet.

**Read the instructions on the Answer Sheet very carefully.**

Each correct answer will score one mark. A mark will not be deducted for a wrong answer.

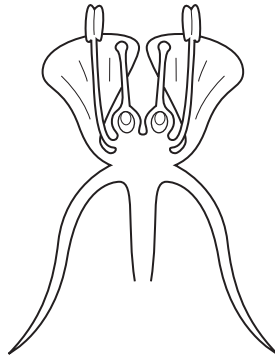
Any rough working should be done in this booklet.

A copy of the Periodic Table is printed on page **20**.

This document consists of **17** printed pages and **3** blank pages.



1 The diagram shows a section through a flower.

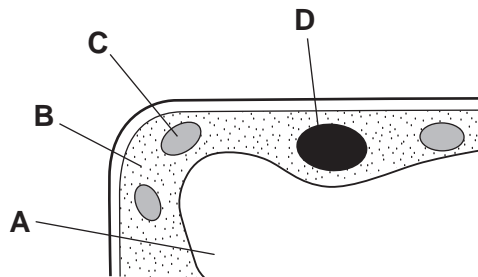


Use the key to identify the flower.

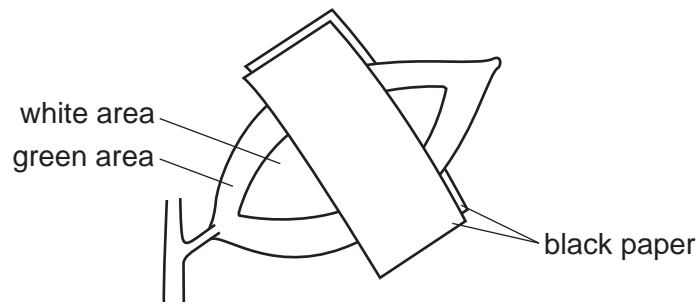
- |   |   |          |
|---|---|----------|
| 1 | flower with many ovules in each ovary ..... | go to 2  |
|   | flower with one ovule in each ovary .....   | go to 3  |
| 2 | filaments longer than styles .....          | <b>A</b> |
|   | filaments shorter than styles .....         | <b>B</b> |
| 3 | petals shorter than sepals .....            | <b>C</b> |
|   | petals longer than sepals .....             | <b>D</b> |

2 The diagram shows part of a plant cell.

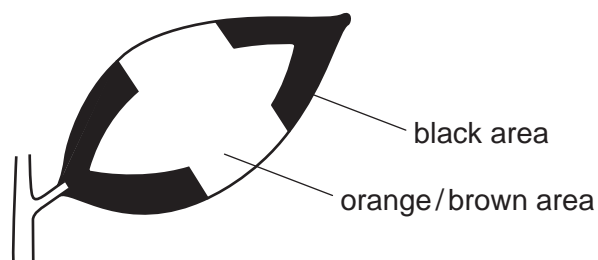
In which region does most of the cell's respiration occur?



- 3 A plant, each leaf of which is green and white, is destarched. It is then placed in light with black paper over part of one leaf as shown.



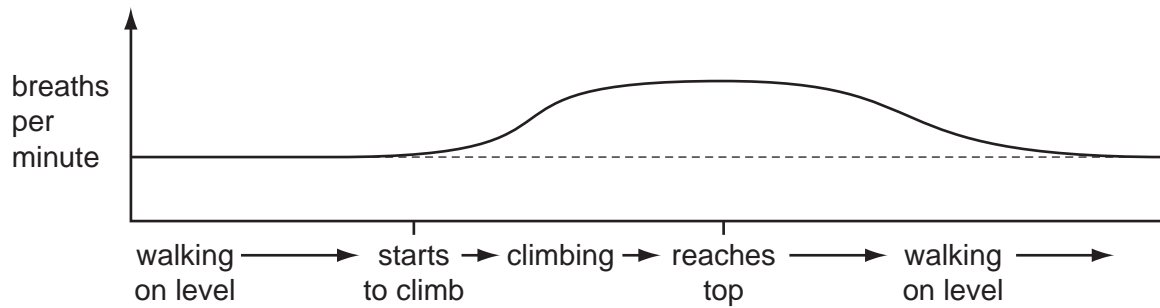
After 12 hours, the leaf is tested for starch using iodine solution. The diagram below shows the leaf after this test.



Where has photosynthesis occurred?

- A all areas covered by black paper
  - B all areas not covered by black paper
  - C green areas covered by black paper
  - D green areas not covered by black paper
- 4 Which part of the gut is in the form of a coiled tube?
- A large intestine
  - B oesophagus
  - C rectum
  - D small intestine
- 5 In a balanced diet, which constituents provide most energy?
- A carbohydrate and protein
  - B fat and carbohydrate
  - C fat and fibre
  - D vitamins and protein

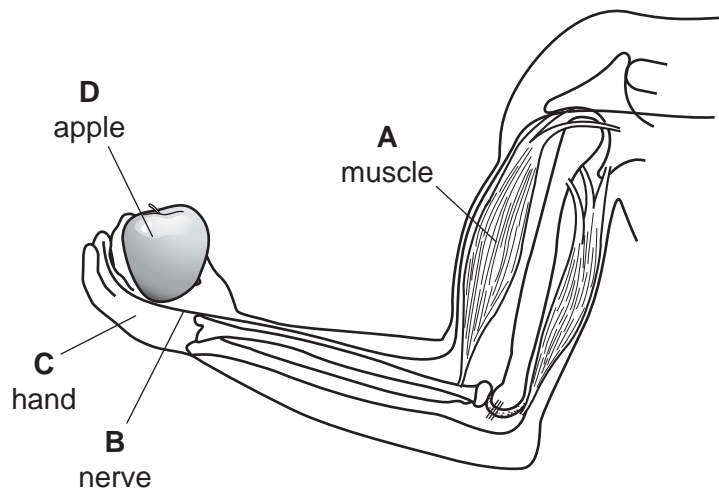
- 6 The graph shows changes in his rate of breathing as a boy first walks on the level then climbs a long stair and then walks on the level again.



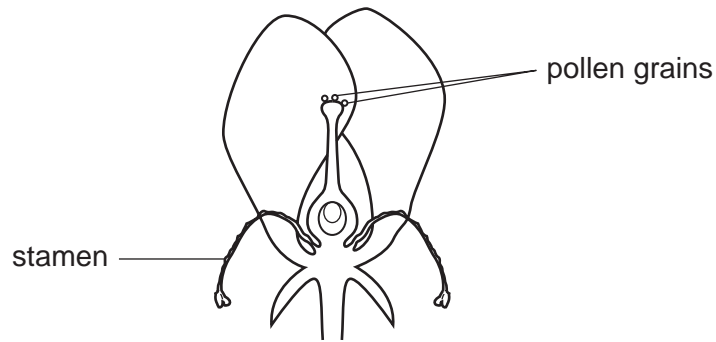
Why does his breathing continue for a while at the higher rate after he reaches the top of the stairs?

- A** He is oxidising lactic acid.  
**B** He still needs more energy.  
**C** His breathing muscles respond slowly.  
**D** More glucose is being used up.
- 7 What would be the effect on the blood of an over-secretion of insulin?
- A** high levels of glucose  
**B** high levels of urea  
**C** low levels of glucose  
**D** low levels of urea
- 8 The diagram shows a person holding an apple.

If the person decides to lift the apple, which labelled part is the effector?

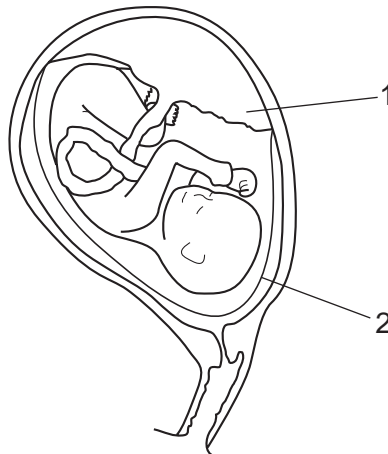


- 9 The diagram shows a flower whose stamens are dying.



Which process has occurred in this flower?

- A fruit formation
  - B pollination
  - C seed formation
  - D wind dispersal
- 10 The diagram shows a human embryo inside a uterus.



What are the functions of the numbered parts?

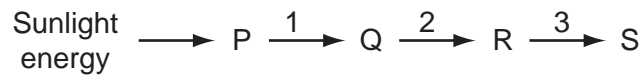
	1	2
A	hold the embryo in place	make blood for the embryo
B	protect the embryo	remove waste
C	provide food	provide food
D	remove waste	protect the embryo

11 The allele for red hair is recessive.

If a girl has red hair, which statement about her parents must be correct?

- A Both parents must carry a recessive allele.
- B Both parents must have red hair.
- C One parent must carry a dominant allele.
- D The father must have red hair.

12 The diagram shows a food chain.

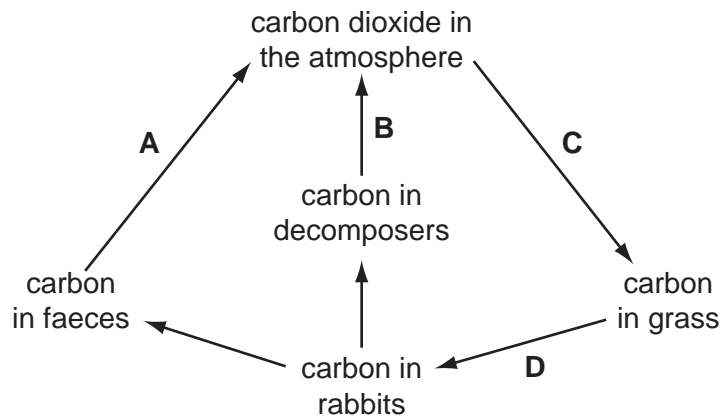


Where do energy losses occur?

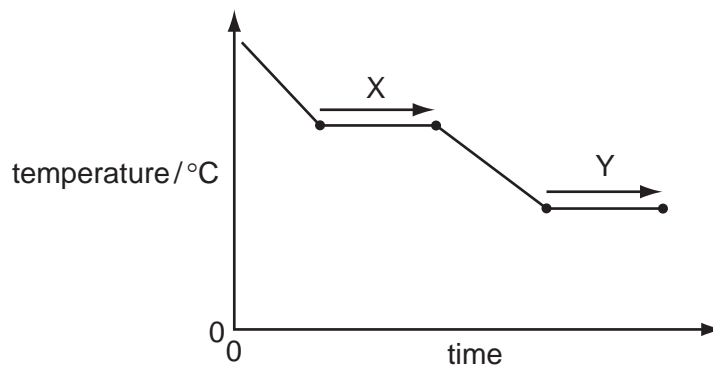
- A 1 only
- B 1 and 2 only
- C 2 and 3 only
- D 1, 2 and 3

13 The diagram shows a simple carbon cycle.

Which line should have an arrowhead at both ends?



14 The graph shows the changes in temperature when a substance is cooled.



Which row in the table describes X and Y?

	X	Y
<b>A</b>	boiling	freezing
<b>B</b>	boiling	melting
<b>C</b>	condensing	freezing
<b>D</b>	condensing	melting

15 Which property of an element suggests that it is a metal?

- A** It conducts electricity.
- B** It forms covalent compounds.
- C** It has a low density.
- D** It has a low melting point.

16 What is an important use of the diesel fraction obtained from crude oil?

- A** fuel for lorries and buses
- B** lubricant for door hinges
- C** propellant gas for spray cans
- D** wax for waterproofing car bodies

17 Which material is combined with a metal oxide to make glass?

- A** carbon
- B** carbon dioxide
- C** silicon
- D** silicon(IV) oxide

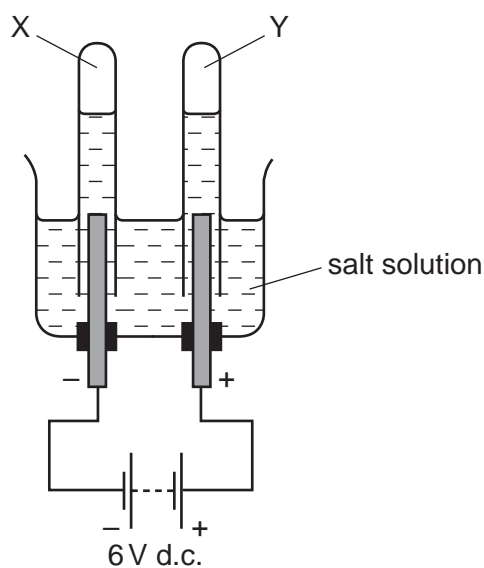
18 The table shows the name and formula of four metal ores.

	name	formula
1	chalcopyrite	$\text{CuFeS}_2$
2	ilmenite	$\text{FeTiO}_3$
3	malachite	$\text{Cu}_2\text{CO}_3(\text{OH})_2$
4	wolframite	$\text{FeWO}_4$

Which metal ores contain two different metals?

- A 1 and 3 only
- B 2 and 4 only
- C 1, 2 and 4 only
- D 2, 3 and 4 only

19 When concentrated salt solution is electrolysed, two gases X and Y are formed.



One of the gases explodes when tested with a burning splint and the other turns moist Universal Indicator paper red then white.

What are X and Y?

	X	Y
A	chlorine	hydrogen
B	hydrogen	chlorine
C	hydrogen	oxygen
D	oxygen	chlorine

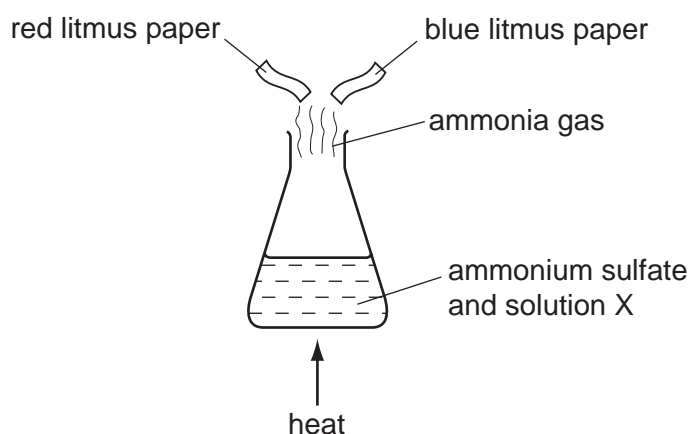


20 During the weathering of rocks, which process does **not** take place?

- A chemical change
- B fixation of nitrogen
- C physical change
- D release of salts into the soil

21 Ammonium sulfate is heated with solution X and ammonia gas is given off.

A piece of moist red litmus paper and a piece of moist blue litmus paper are held in the gas.



What is solution X and what will be the colour change of the litmus paper?

	solution X	colour change of litmus paper
<b>A</b>	hydrochloric acid	blue to red
<b>B</b>	hydrochloric acid	red to blue
<b>C</b>	sodium hydroxide	blue to red
<b>D</b>	sodium hydroxide	red to blue

22 Chlorophyll is extracted from green plants.

Which method should be used to separate chlorophyll from other coloured substances?

- A chromatography
- B cracking
- C distillation
- D neutralisation

23 The contents of a beaker scatter a beam of light.

What does the beaker contain?

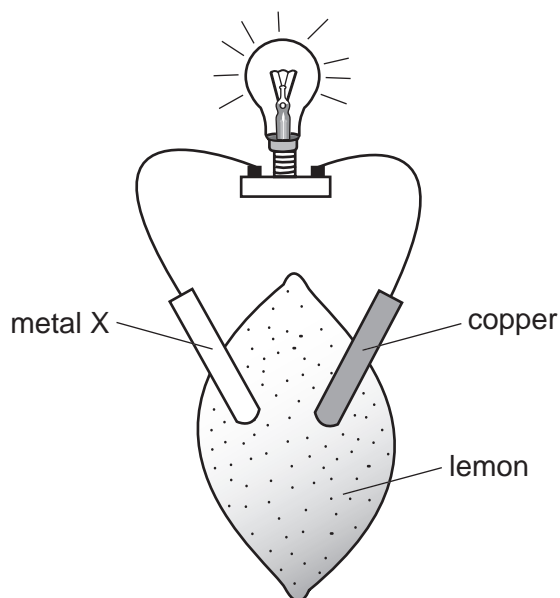
- A aqueous copper(II) sulfate
- B ethanol
- C milk
- D water

24 Nitrogen oxides are formed when car engines burn fossil fuels.

Which row shows why nitrogen oxides are unwanted products?

	acidic	pollutant
A	no	no
B	no	yes
C	yes	no
D	yes	yes

25 The diagram shows an experiment using a lemon.



Which statements are correct?

	lemon juice is an electrolyte	X could be copper	X could be zinc
<b>A</b>	✓	✓	✓
<b>B</b>	✓	✓	✗
<b>C</b>	✓	✗	✓
<b>D</b>	✗	✓	✓

26 An aqueous solution of a compound of metal M is tested.

- It does not give a characteristic flame colour.
- It forms a precipitate with aqueous ammonia; the precipitate is soluble in excess ammonia.

What is metal M?

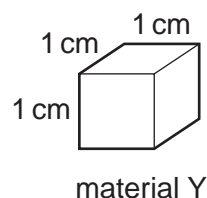
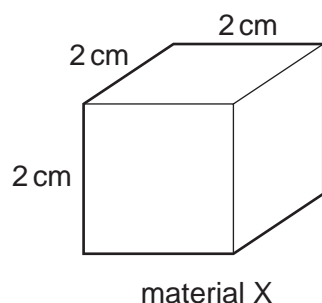
- A** copper
- B** iron
- C** potassium
- D** zinc

27 When element X reacts with element Y, X donates an electron to Y.

Which row correctly shows the type of ion that Y forms and how its position in the Periodic Table changes?

	type of ion	effect on position of element Y in Periodic Table
<b>A</b>	negative	moves one place to the right
<b>B</b>	negative	no change
<b>C</b>	positive	moves one place to the right
<b>D</b>	positive	no change

28 The cubes shown are made of different materials, but they have the same mass.



The density of material X is  $1 \text{ g/cm}^3$ .

What is the density of material Y?

- A**  $\frac{1}{8} \text{ g/cm}^3$       **B**  $\frac{1}{2} \text{ g/cm}^3$       **C**  $2 \text{ g/cm}^3$       **D**  $8 \text{ g/cm}^3$

29 The winner of a 1500 m race takes 4 minutes to run the race.

What is his average speed in m/s?

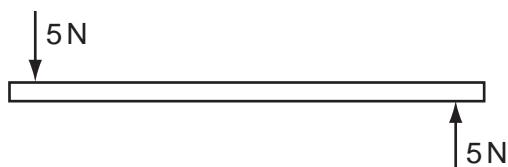
**A**  $1500 \times \frac{60}{4}$

**B**  $1500 \times 4 \times 60$

**C**  $\frac{1500}{4 \times 60}$

**D**  $\frac{1500 \times 4}{60}$

- 30 A rod is acted upon by two forces as shown in the diagram.



Which effect will be produced by these two forces?

- A both rotation and movement in a straight line
  - B rotation only
  - C no effect, because the forces are balanced
  - D movement in a straight line only
- 31 The table gives four pairs of values of force and the surface area on which the force acts.

Which pair of values gives the largest pressure on the surface?

	force / N	area / m <sup>2</sup>
A	20	2
B	40	2
C	20	4
D	40	4

- 32 Liquid X has a higher specific heat capacity than liquid Y.

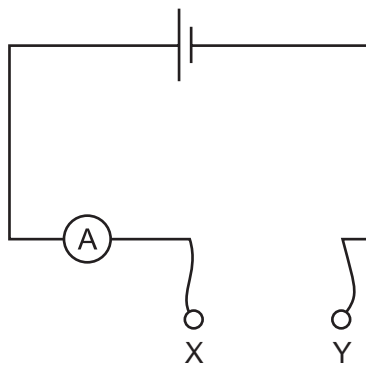
What does this mean?

- A 1 kg of liquid X needs to be given more energy than 1 kg of liquid Y to make it evaporate.
  - B 1 kg of liquid X releases more energy than 1 kg of liquid Y when it freezes.
  - C More energy needs to be supplied to 1 kg of liquid X than to 1 kg of liquid Y for their temperatures to rise by the same amount.
  - D The temperature of 1 kg of liquid X rises more than the temperature of 1 kg of liquid Y when they are given the same amount of energy.
- 33 Which is the correct equation for resistance?
- A resistance = current  $\div$  voltage
  - B resistance = power  $\div$  current
  - C resistance = power  $\div$  voltage
  - D resistance = voltage  $\div$  current

- 34 A householder asks an electrician to install a mains electrical socket in her bathroom so that she may use a hairdryer there. The electrician refuses to do this because it would be dangerous.

Why would installing the socket be dangerous?

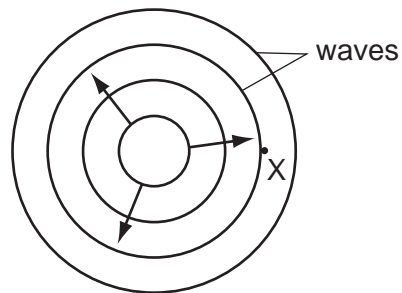
- A The current drawn by the hairdryer would cause overheating in the cables.
  - B The handling of electrical equipment in damp conditions could cause an electric shock.
  - C The hot air produced by the hairdryer would cause the fuse to melt.
  - D The temperature in the bathroom would damage the insulation.
- 35 A student has four pieces of resistance wire made of the same material. Each piece is connected in turn between the terminals X and Y in the circuit.



In which wire will the current be the smallest?

	length / m	diameter / mm
<b>A</b>	0.5	0.5
<b>B</b>	0.5	1.0
<b>C</b>	1.0	0.5
<b>D</b>	1.0	1.0

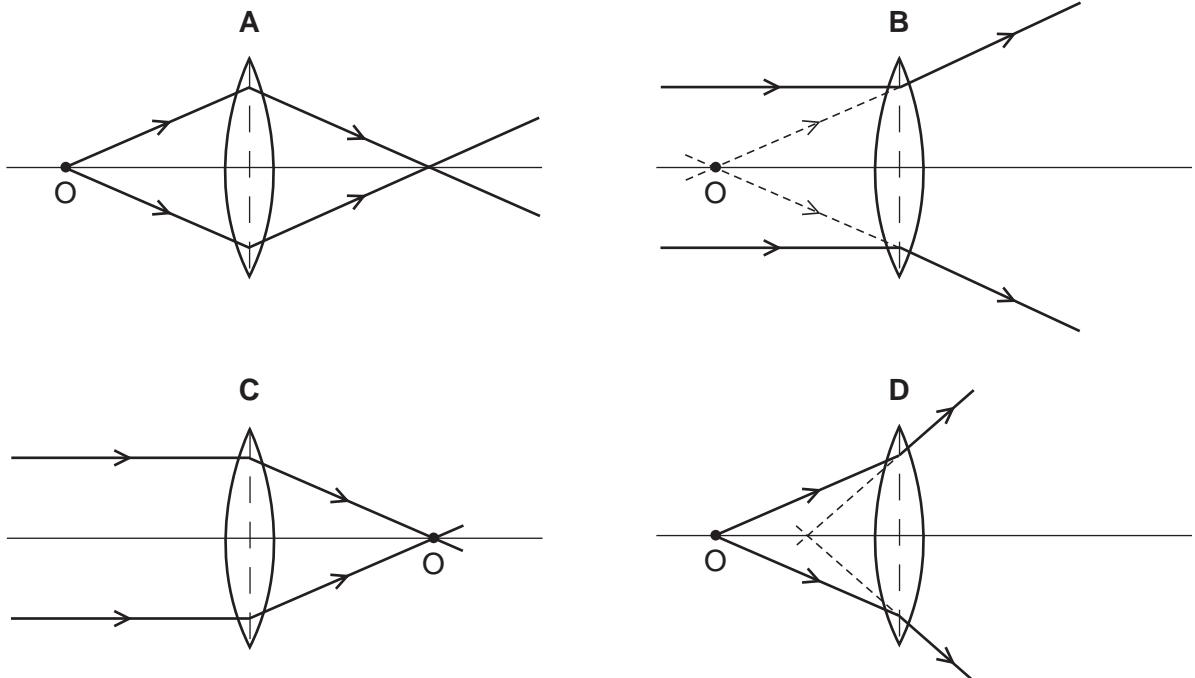
36 A stone is thrown into a pool and waves spread out from where it hits the water.



What is the name given to the number of waves passing point X per second?

- A the amplitude
- B the frequency
- C the wavelength
- D the wave speed

37 Which ray diagram shows a converging lens producing a real image of object O?



38 A magnet and a charged plastic rod are held near each other.



magnet



charged plastic rod

What happens?

- A Both poles of the magnet attract both ends of the plastic rod.
  - B Neither pole of the magnet attracts either end of the plastic rod.
  - C Only the north pole of the magnet attracts the positive end of the plastic rod.
  - D Only the south pole of the magnet attracts the positive end of the plastic rod.
- 39 Which statement about radioactive emissions is correct?
- A Alpha-particles are the least penetrating and are positively charged.
  - B Alpha-particles are the most penetrating and are positively charged.
  - C Gamma-rays are the least penetrating and are positively charged.
  - D Gamma-rays are the most penetrating and are positively charged.
- 40 A sample of radioactive material has a mass of 64 mg and a half-life of 16 years.
- What is the time taken for the mass of the sample to decrease to 8 mg?
- A 2 years      B 4 years      C 48 years      D 128 years









**DATA SHEET**  
**The Periodic Table of the Elements**

		Group											
		I	II	III	IV	V	VI	VII	VIII	IX	X	O	
		1 <b>H</b> Hydrogen 1											
7	9												
<b>Li</b> Lithium 3	<b>Be</b> Beryllium 4												
23	24												
<b>Na</b> Sodium 11	<b>Mg</b> Magnesium 12												
39	40												
<b>K</b> Potassium 19	<b>Ca</b> Calcium 20	45	48	51	52	55	56	59	59	64	65	70	
		<b>Sc</b> Scandium 21	<b>Ti</b> Titanium 22	<b>V</b> Vanadium 23	<b>Cr</b> Chromium 24	<b>Mn</b> Manganese 25	<b>Fe</b> Iron 26	<b>Co</b> Cobalt 27	<b>Ni</b> Nickel 28	<b>Cu</b> Copper 29	<b>Zn</b> Zinc 30	<b>Ga</b> Gallium 31	
85	88	89	91	93	96	101	101	103	106	108	112	115	
<b>Rb</b> Rubidium 37	<b>Sr</b> Strontium 38	<b>Y</b> Yttrium 39	<b>Zr</b> Zirconium 40	<b>Nb</b> Niobium 41	<b>Mo</b> Molybdenum 42	<b>Ru</b> Ruthenium 44	<b>Rh</b> Rhodium 45	<b>Pd</b> Palladium 46	<b>Ag</b> Silver 47	<b>Cd</b> Cadmium 48	<b>In</b> Indium 49	<b>Sn</b> Tin 50	
133	137	139	178	181	184	190	190	192	195	197	201	204	
<b>Cs</b> Caesium 55	<b>Ba</b> Barium 56	<b>La</b> Lanthanum 57	<b>Hf</b> Hafnium 72	<b>Ta</b> Tantalum 73	<b>W</b> Tungsten 74	<b>Os</b> Osmium 76	<b>Ir</b> Iridium 77	<b>Pt</b> Platinum 78	<b>Au</b> Gold 79	<b>Hg</b> Mercury 80	<b>Tl</b> Thallium 81	<b>Pb</b> Lead 82	
226	227												
<b>Fr</b> Francium 87	<b>Ra</b> Radium 88	<b>Ac</b> Actinium 89											
*58-71 Lanthanoid series †90-103 Actinoid series													
		140	141	144	150	152	157	159	162	165	167	169	
		<b>Ce</b> Cerium 58	<b>Pr</b> Praseodymium 59	<b>Nd</b> Neodymium 60	<b>Pm</b> Promethium 61	<b>Sm</b> Samarium 62	<b>Eu</b> Europium 63	<b>Gd</b> Gadolinium 64	<b>Tb</b> Terbium 65	<b>Dy</b> Dysprosium 66	<b>Ho</b> Holmium 67	<b>Er</b> Erbium 68	
		232	238	238	238	238	238	238	238	238	238	238	
		<b>Th</b> Thorium 90	<b>Pa</b> Protactinium 91	<b>U</b> Uranium 92	<b>Np</b> Neptunium 93	<b>Pu</b> Plutonium 94	<b>Am</b> Americium 95	<b>Cm</b> Curium 96	<b>Bk</b> Berkelium 97	<b>Cf</b> Californium 98	<b>Es</b> Einsteinium 99	<b>Fm</b> Fermium 100	
		173	173	173	173	173	173	173	173	173	173	173	
		<b>Yb</b> Ytterbium 70	<b>Lu</b> Lutetium 71	<b>Lr</b> Lawrencium 103	<b>No</b> Nobelium 102	<b>Md</b> Mendelevium 101	<b>Fm</b> Fermium 100	<b>Er</b> Erbium 68	<b>Tm</b> Thulium 69	<b>Yb</b> Ytterbium 70	<b>Lu</b> Lutetium 71	<b>Lr</b> Lawrencium 103	

a = relative atomic mass  
X = atomic symbol  
b = proton (atomic) number

The volume of one mole of any gas is 24 dm<sup>3</sup> at room temperature and pressure (r.t.p.).

Permission to reproduce items where third-party owned material protected by copyright is included has been sought and cleared where possible. Every reasonable effort has been made by the publisher (UCLES) to trace copyright holders, but if any items requiring clearance have unwittingly been included, the publisher will be pleased to make amends at the earliest possible opportunity.

University of Cambridge International Examinations is part of the Cambridge Assessment Group. Cambridge Assessment is the brand name of University of Cambridge Local Examinations Syndicate (UCLES), which is itself a department of the University of Cambridge.